

DATA SHEET

LINA G 60-19



Single-Sided Gas Fireplace Appliance

Technical Data	Nat gas	LP gas
Input Minimum	20.800 BTU/h	15.400 BTU/h
Input Maximum	43.500 BTU/h	35.600 BTU/h
Efficiency	67,7%	69,8%
Viewing Area	56 x 17"	
Installed Weight	585 lbs	



Chase Cavity

Minimum Air Intake Surface Base	160 in ²
Minimum Air Release Surface Top	240 in ²

Built-in method

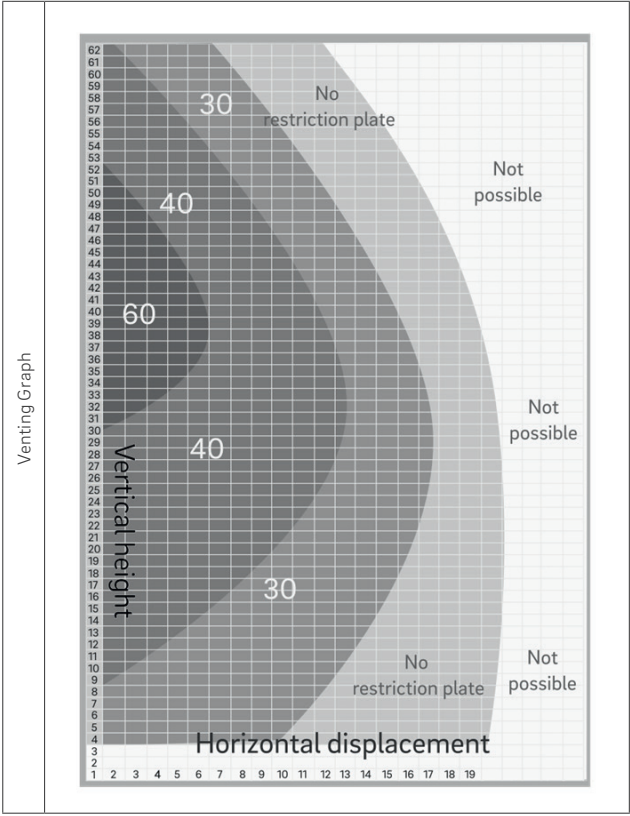
Zero Clearance
Type X Drywall Recommended
No Specific Requirements for Finishing Material
Approved Direct Vent Systems: Duravent DVA 58

Standard Interior



Interior Lining Anthracite (matte)
Ceramic Logs: Oak or Birch
Remote Control
Ember Bed Lighting

Accessories

"Fire Connects" WiFi App
Ceramic Black Glass (gloss)
Moonlight-Feature
Wall Switch



Label of Proof


American National Standardization Institute

Hearth product illustrations may be similar. All photographs and drawings featured within are protected by copyright. Usage and publication, even of individual product details, is prohibited without written permission by Camina & Schmid Inc. Product and technical modifications can occur without formal notification, and therefore content within is subject to errors and omissions. Status: 10/2024.

DATA SHEET
LINA G 60-19



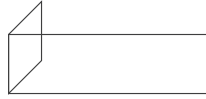
Lina G 30-24



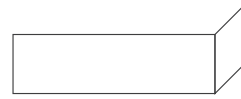
Lina G 36-28



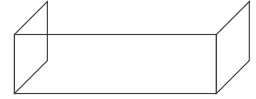
Lina G 60-19



Ekko G L 60/14-19

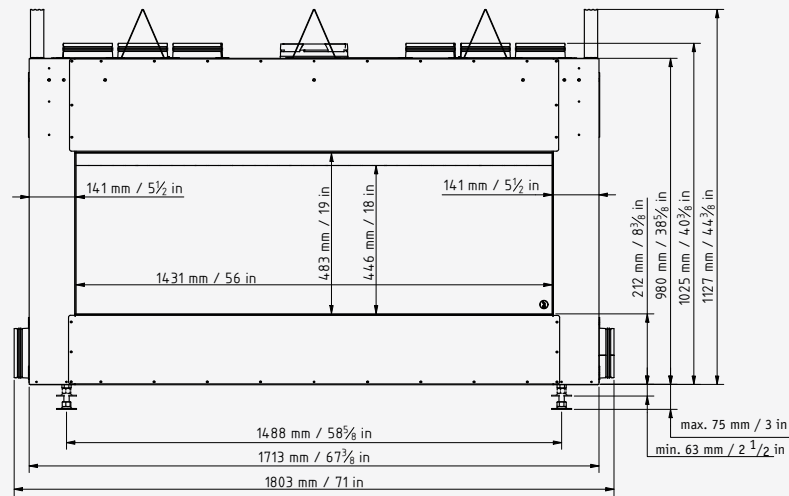


Ekko G R 60/14-19

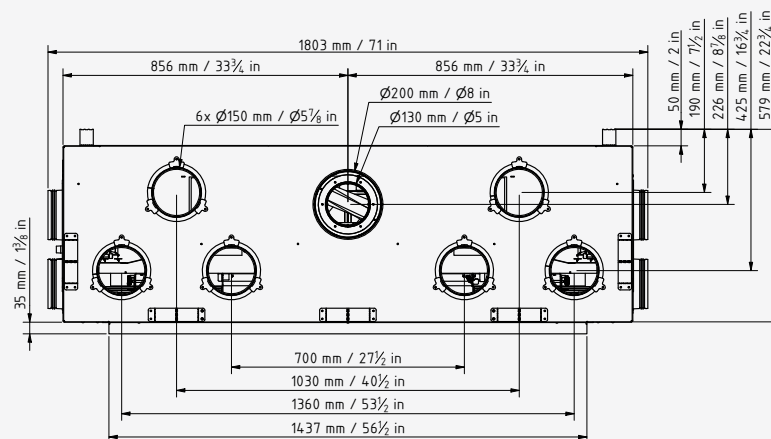


Ekko G U 60/14-19

Appliance Dimensions (Front View)



Appliance Dimensions (Top View)



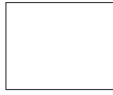
Hearth product illustrations may be similar. All photographs and drawings featured within are protected by copyright. Usage and publication, even of individual product details, is prohibited without written permission by Camina & Schmid Inc. Product and technical modifications can occur without formal notification, and therefore content within is subject to errors and omissions. Status 10/2024.

DATA SHEET

LINA G 60-19



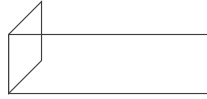
Lina G 30-24



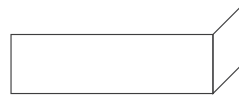
Lina G 36-28



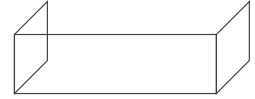
Lina G 60-19



Ekko G L 60/14-19

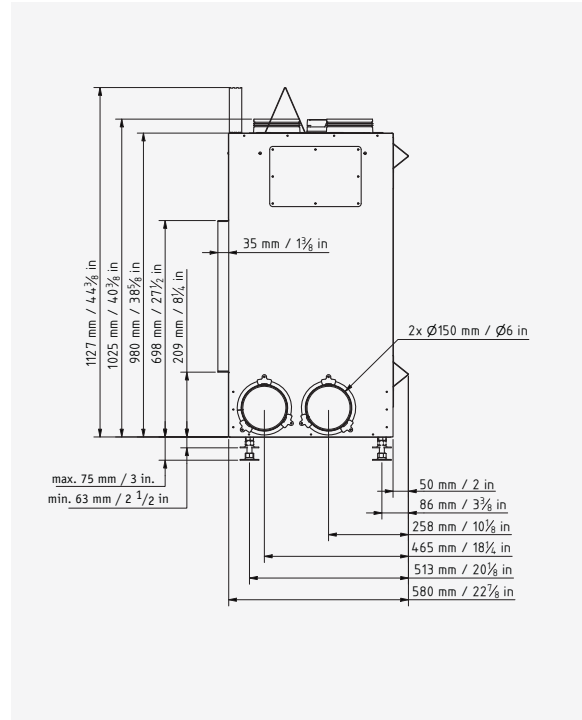
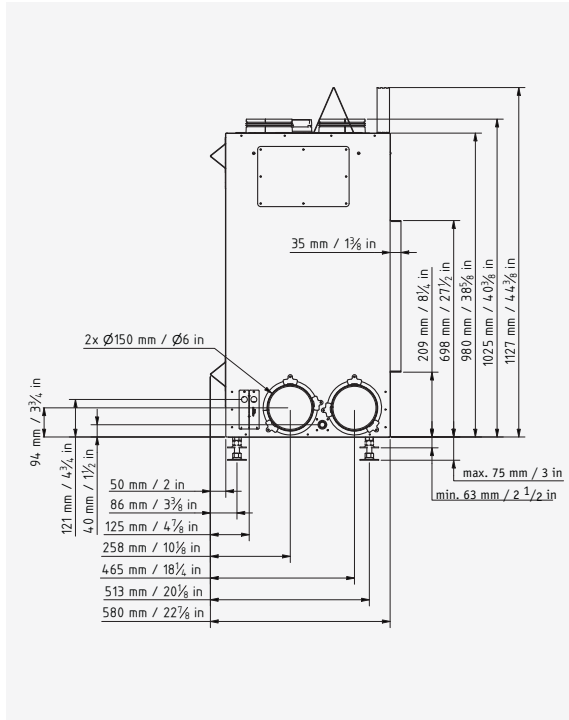


Ekko G R 60/14-19

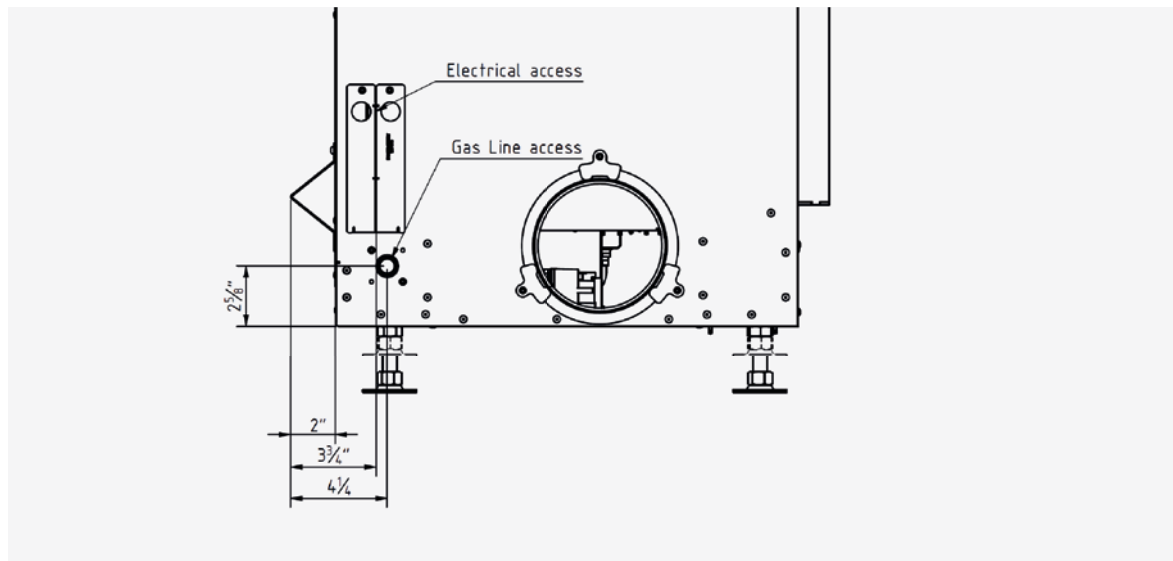


Ekko G U 60/14-19

Appliance Dimensions (Side View)



Electrical / Gas connection



Hearth product illustrations may be similar. All photographs and drawings featured within are protected by copyright. Usage and publication, even of individual product details, is prohibited without written permission by Camina & Schmid Inc. Product and technical modifications can occur without formal notification, and therefore content within is subject to errors and omissions. Status 10/2024.

