

DATA SHEET

LINA G 30-24



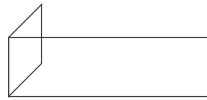
Lina G 30-24



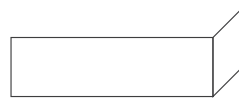
Lina G 36-28



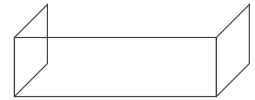
Lina G 60-19



Ekko G L 60/14-19



Ekko G R 60/14-19



Ekko G U 60/14-19

Single-Sided Gas Fireplace Appliance

Technical Data	Nat Gas	LP Gas
Input Minimum	12.000 BTU/h	10.250 BTU/h
Input Maximum	24.930 BTU/h	22.880 BTU/h
Efficiency	71,7%	72,8%
Viewing Area	29 x 23"	
Installed Weight	420 lbs	

Chase Cavity

Minimum Air Intake Surface Base 110 in²

Minimum Air Release Surface Top 165 in²

Built-In Method

Zero Clearance
 Type X Drywall Recommended
 No Specific Requirements for Finishing Material

Approved Direct Vent Systems: Duravent DVA 58

Standard Interior

Interior Lining Anthracite (matte)

Ceramic Logs: Oak or Birch

Remote Control

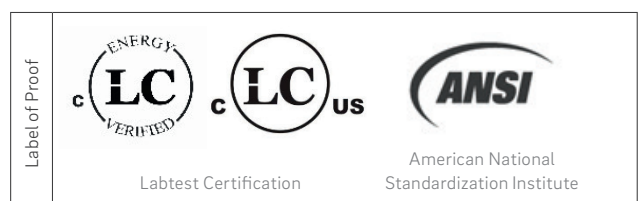
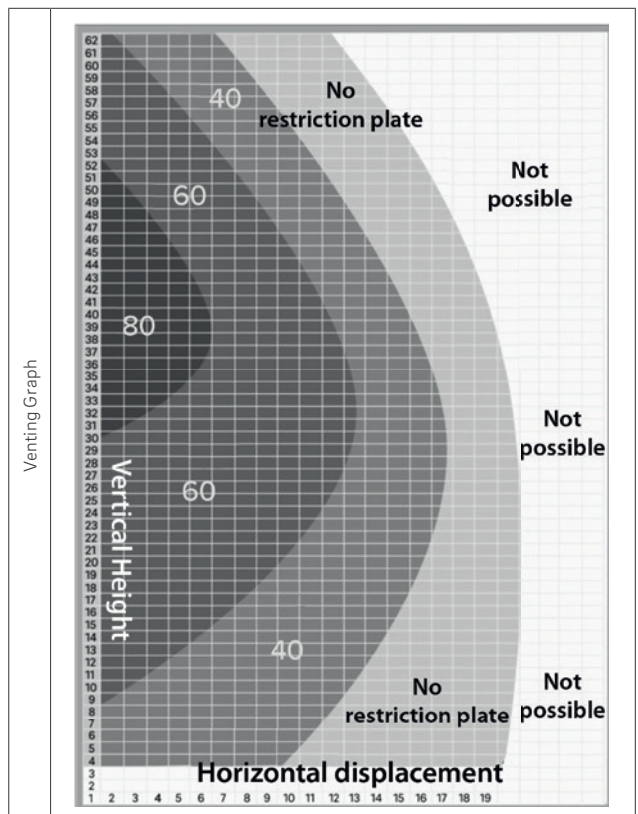
Ember Bed Lighting

Accessories

"Fire Connects" WiFi App

Ceramic Black Glass (gloss)

Wall Switch



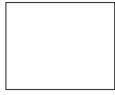
Hearth product illustrations may be similar. All photographs and drawings featured within are protected by copyright. Usage and publication, even of individual product details, is prohibited without written permission by Camina & Schmid Inc. Product and technical modifications can occur without formal notification, and therefore content within is subject to errors and omissions. Status: 10/2024.

DATA SHEET

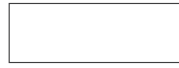
LINA G 30-24



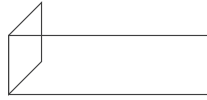
Lina G 30-24



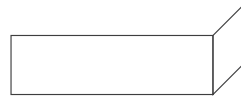
Lina G 36-28



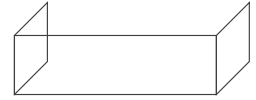
Lina G 60-19



Ekko G L 60/14-19

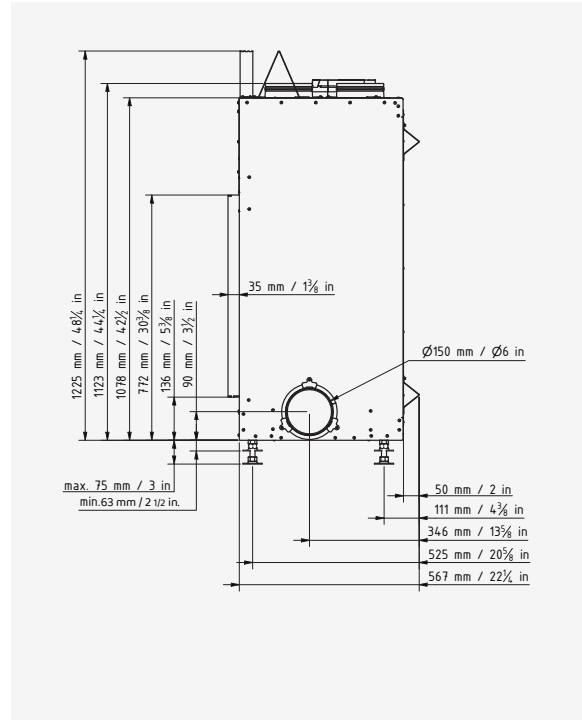
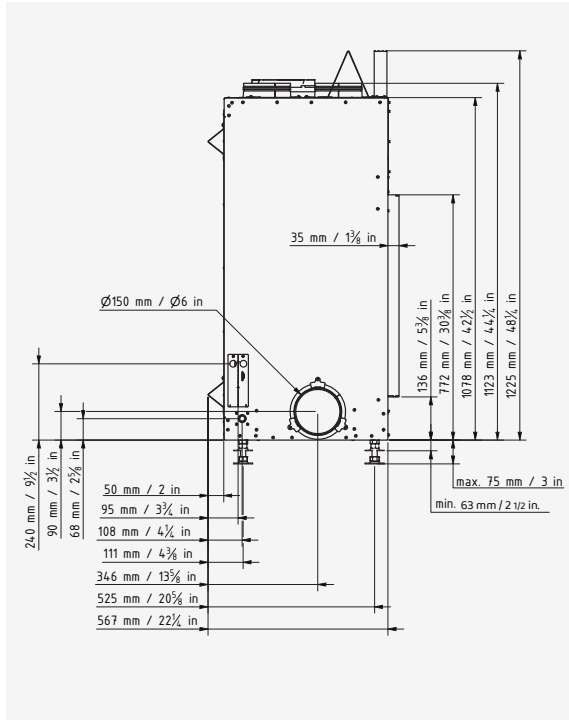


Ekko G R 60/14-19

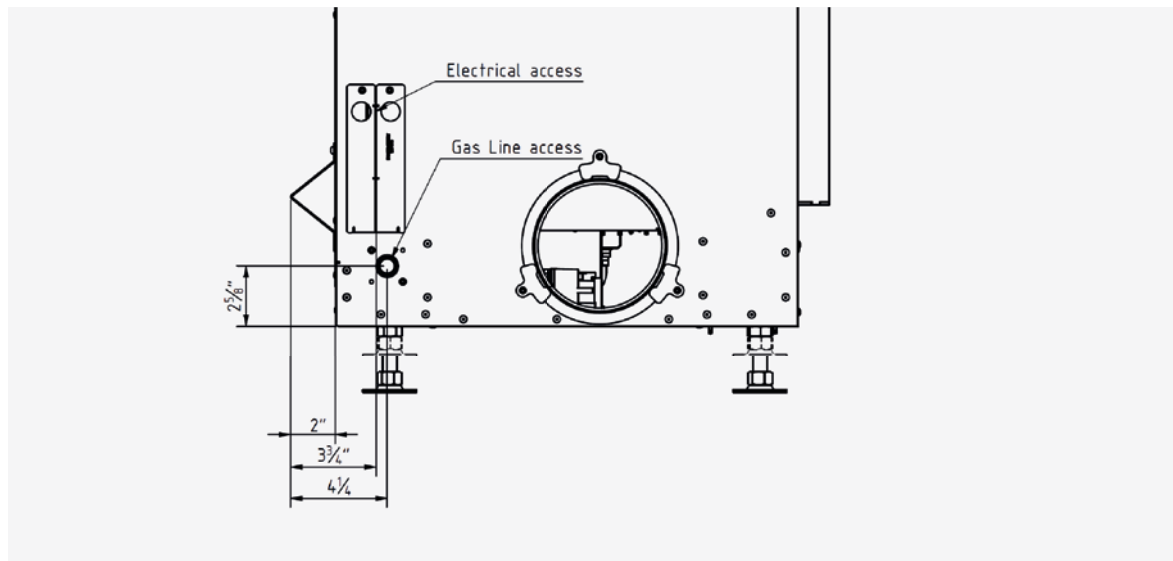


Ekko G U 60/14-19

Appliance Dimensions (Side View)



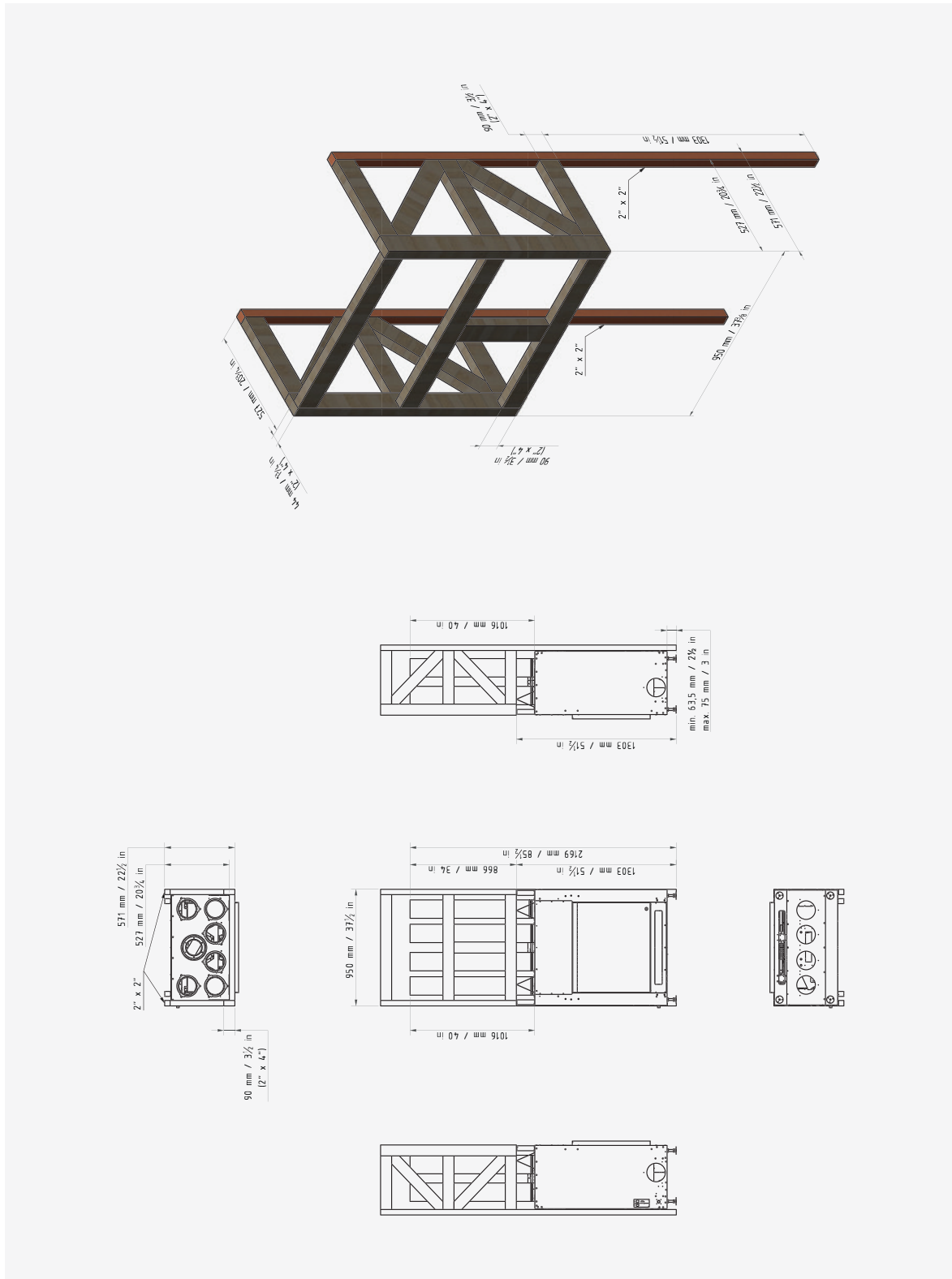
Electrical / Gas connection



Hearth product illustrations may be similar. All photographs and drawings featured within are protected by copyright. Usage and publication, even of individual product details, is prohibited without written permission by Camina & Schmid Inc. Product and technical modifications can occur without formal notification, and therefore content within is subject to errors and omissions. Status 10/2024.

DATA SHEET
LINA G 30-24

Dimensions



Hearth product illustrations may be similar. All photographs and drawings featured within are protected by copyright. Usage and publication, even of individual product details, is prohibited without written permission by Camina & Schmid Inc. Product and technical modifications can occur without formal notification, and therefore content within is subject to errors and omissions. Status 10/2024.

Camina & Schmid Inc.

80 Pine Street, 24th Floor · New York, NY 10005 · USA
www.camina-schmid.com · info@camina-schmid.com