

# DATA SHEET

## Ekko G R 60/19-14



### Two-Sided Gas Fireplace Appliance

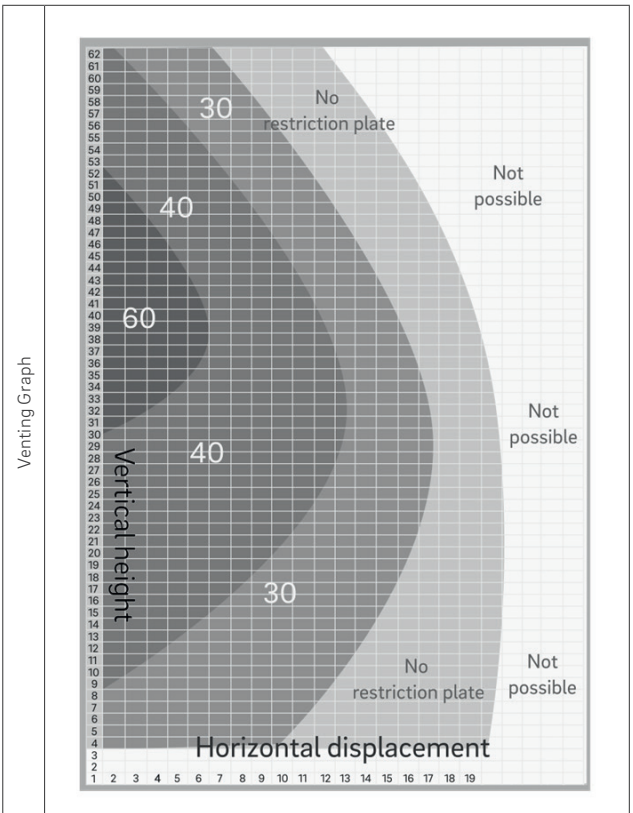
Technical Data	Nat Gas	LP Gas
Input Minimum	20.800 BTU/h	15.400 BTU/h
Input Maximum	43.500 BTU/h	35.600 BTU/h
Efficiency	67,7%	69,8%
Viewing Area	58 x 19"	
Installed Weight	595 lbs	




Chase Cavity	
Minimum Air Intake Surface Base	160 in <sup>2</sup>
Minimum Air Release Surface Top	240 in <sup>2</sup>

Built-In Method	
Zero Clearance	
Type X Drywall Recommended	
No Specific Requirements for Finishing Material	
Approved Direct Vent Systems: Duravent DVA 58	

Standard Interior	
Interior Lining Anthracite (matte)	
Ceramic Logs: Oak or Birch	
Remote Control	
Ember Bed Lighting	

Accessories	
"Fire Connects" WiFi App	
Ceramic Black Glass (gloss)	
Moonlight-Feature	
Wall Switch	



Label of Proof			
	Labtest Certification		American National Standardization Institute

Hearth product illustrations may be similar. All photographs and drawings featured within are protected by copyright. Usage and publication, even of individual product details, is prohibited without written permission by Camina & Schmid Inc. Product and technical modifications can occur without formal notification, and therefore content within is subject to errors and omissions. Status: 10/2024.

DATA SHEET  
Ekko G L 60/19-14



Lina G 30-24



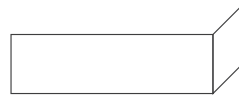
Lina G 36-28



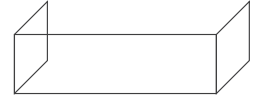
Lina G 60-19



Ekko G L 60/14-19

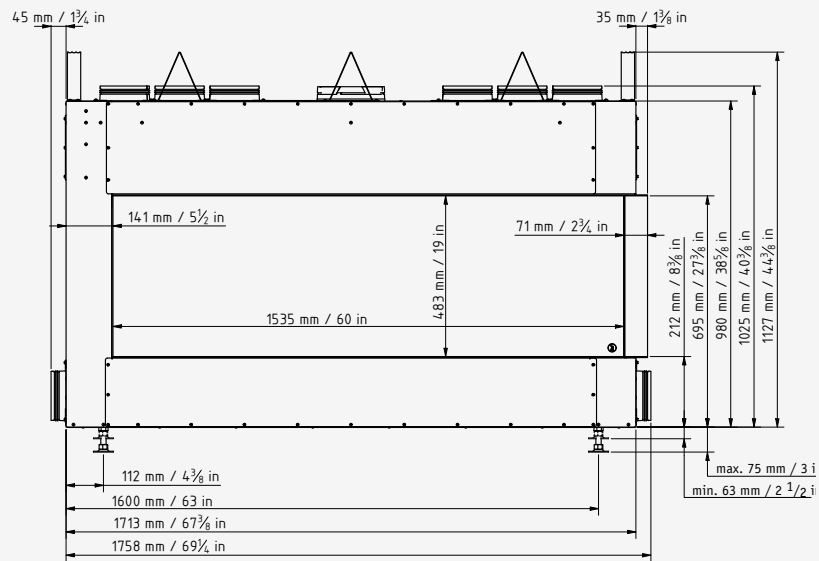


Ekko G R 60/14-19

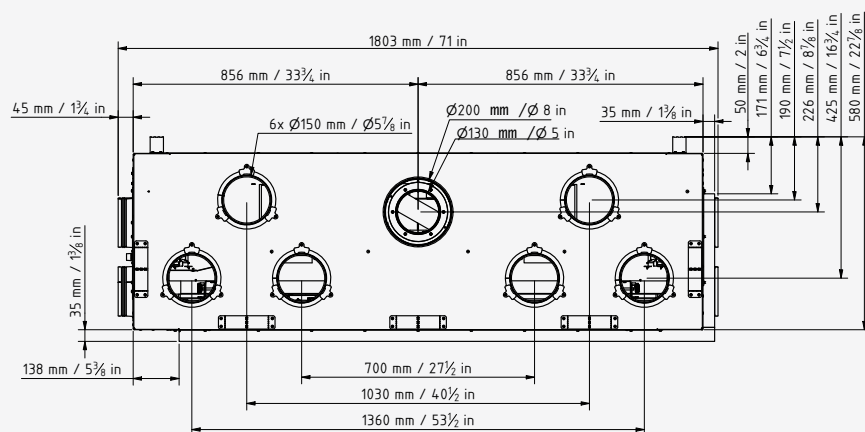


Ekko G U 60/14-19

Appliance Dimensions (Front View)



Appliance Dimensions (Top View)



Hearth product illustrations may be similar. All photographs and drawings featured within are protected by copyright. Usage and publication, even of individual product details, is prohibited without written permission by Camina & Schmid Inc. Product and technical modifications can occur without formal notification, and therefore content within is subject to errors and omissions. Status 10/2024.

# DATA SHEET

## Ekko G L 60/19-14



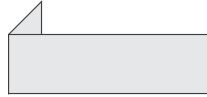
Lina G 30-24



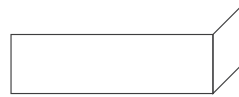
Lina G 36-28



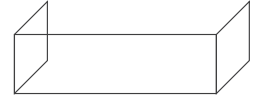
Lina G 60-19



Ekko G L 60/14-19

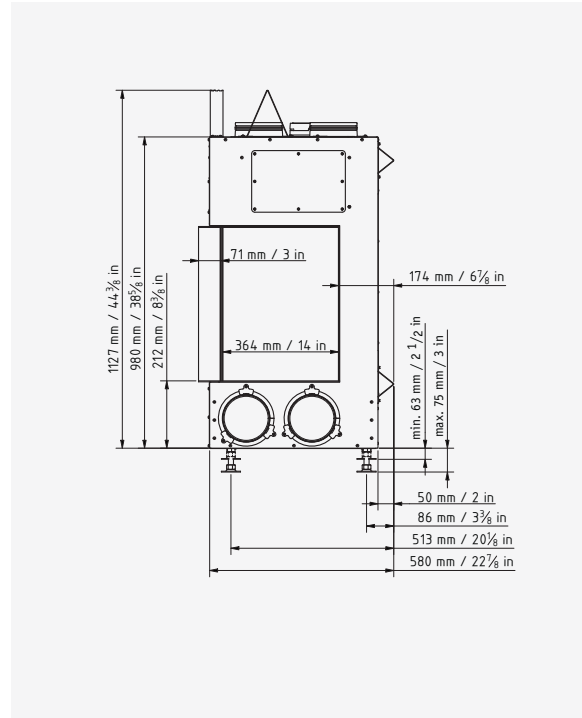
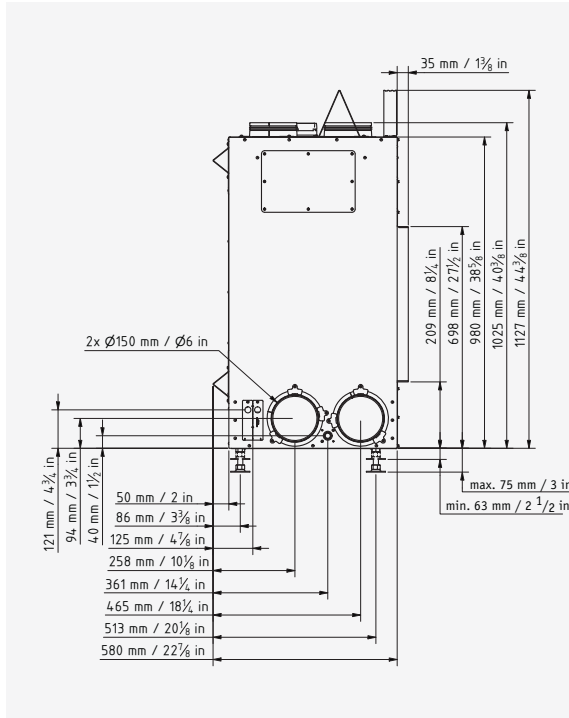


Ekko G R 60/14-19

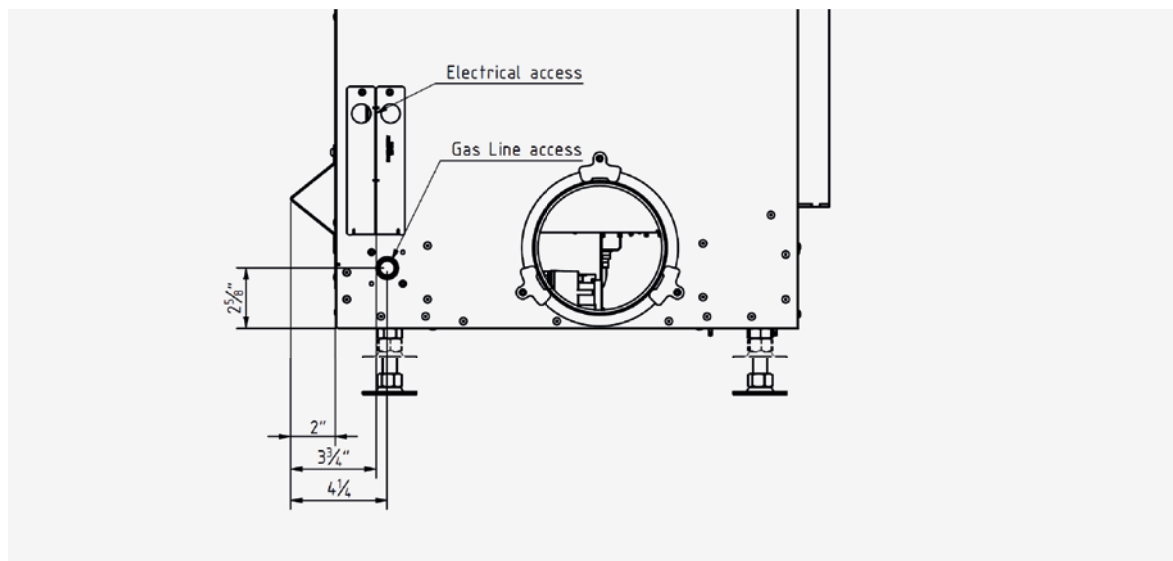


Ekko G U 60/14-19

### Appliance Dimensions (Side View)



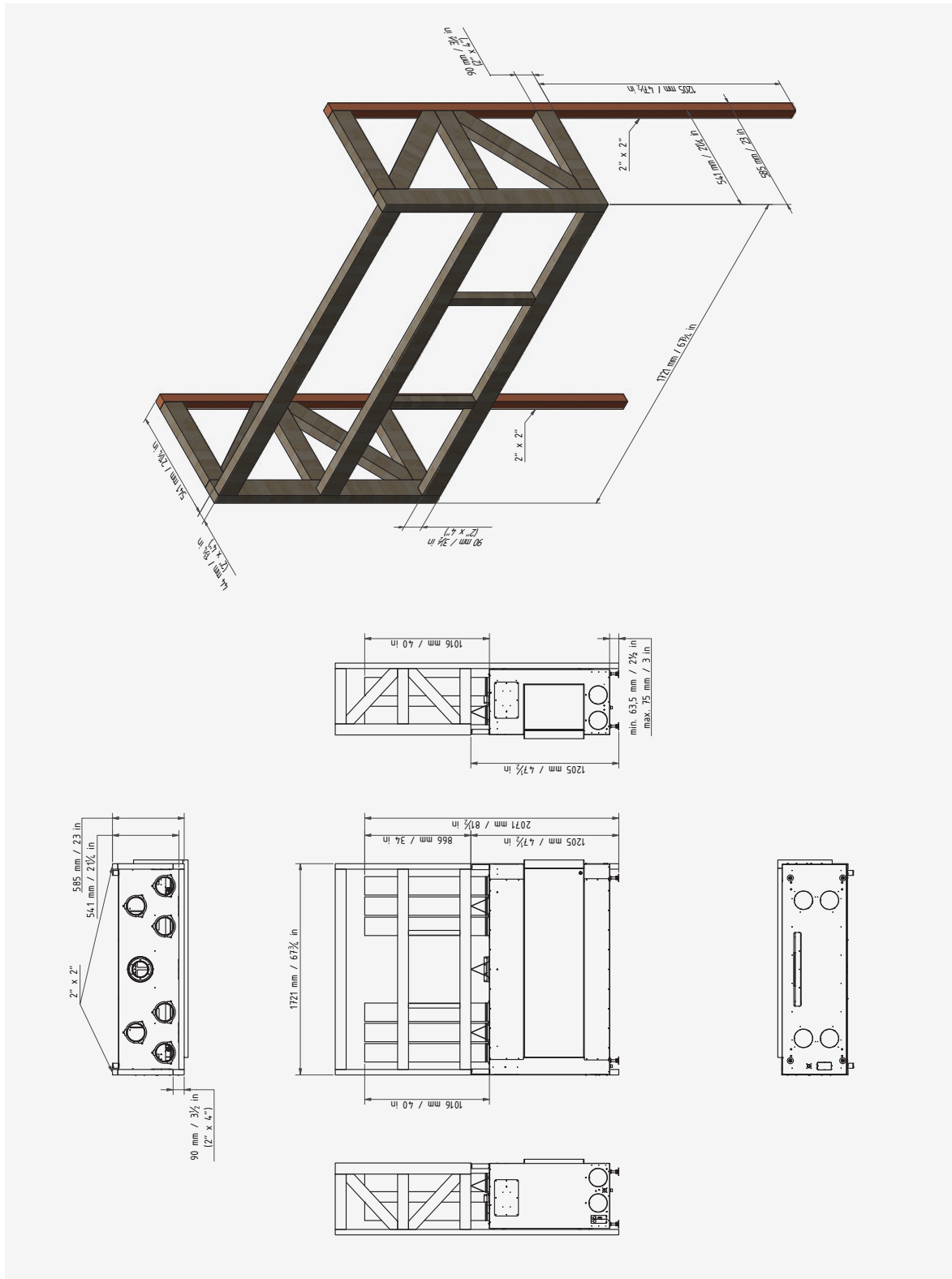
### Electrical / Gas connection



Hearth product illustrations may be similar. All photographs and drawings featured within are protected by copyright. Usage and publication, even of individual product details, is prohibited without written permission by Camina & Schmid Inc. Product and technical modifications can occur without formal notification, and therefore content within is subject to errors and omissions. Status 10/2024.

DATA SHEET  
Ekko G L 60/19-14

Dimensions



Hearth product illustrations may be similar. All photographs and drawings featured within are protected by copyright. Usage and publication, even of individual product details, is prohibited without written permission by Camina & Schmid Inc. Product and technical modifications can occur without formal notification, and therefore content within is subject to errors and omissions. Status 10/2024.

Camina & Schmid Inc.

80 Pine Street, 24th Floor · New York, NY 10005 · USA  
www.camina-schmid.com · info@camina-schmid.com