



Installer: Leave this manual with the appliance. - **Owner:** Retain this manual for future reference

WARNING

FIRE OR EXPLOSION HAZARD

Failure to follow safety warnings exactly could result in serious injury, death, or property damage.

Do not store or use gasoline or other flammable vapors and liquids in the vicinity of this or any other appliance

WHAT TO DO IF YOU SMELL GAS.

- Do not try to light any appliance
- Do not touch any electrical switch; do not use any phone in your building
- Leave the building immediately
- Immediately call your gas supplier from a neighbor's phone. Follow the gas supplier's instructions.
- If you can not reach your gas supplier, call the fire department.

Installation and service must be performed by a qualified installer, service agency or the gas supplier.

DANGER



Hot glass will cause burns
Do not touch glass until cooled
Never allow children to touch glass

- A barrier designed to reduce the risk of burns from the hot viewing glass is provided with this appliance and must be installed for the protection of children and other at-risk individuals.

INSTALLATION MANUAL

Gas Fireplace

EKKO G U 60/14-19, EKKO G L 60/14-19, EKKO G R 60/14-19, LINA G 60-19

Camina  **Schmid**

Table of Contents

1.	Introduction	6
1.1	About this manual	6
1.2	Safety Marks	6
1.3	General Safety Information	7
2.	Product Information	9
2.1	Appliance Certification	9
2.2	Product Specifications	10
2.3	High Altitude Installations	10
2.4	Installation of Carbon Monoxide Detectors	10
2.5	Signage	10
2.6	Exemptions	10
3.	Fireplace Safety	11
3.1	Appliance Safety	11
3.2	Glass	12
3.3	Venting	12
3.4	Intended Use	12
3.5	Installing and Servicing	12
4.	Installation	13
4.1	Prior to Starting the Installation	13
4.2	Preparing to Install	14
4.2.1	Fireplace Positioning	14
4.2.2	Fireplace Clearances to Combustible Projections	14
5.	Venting and Vent Termination	15
5.1	Instructions	15
5.2	Vent size	15
5.3	Approved Venting Components	16
5.4	Typical Co-axial Venting Components	17
5.5	Clearances	18
5.5.1	Minimum Clearances to Vent Termination	18
5.5.2	Horizontal Vent Clearances	18
5.5.3	Vertical Vent Clearances	18
5.6	Horizontal termination	18
5.7	Vertical Termination	20
5.8	Vent pipe clearances	21
5.8.1	Minimum Combustible Clearances from Vent Pipe	21
5.8.1.1	Horizontal Vent Pipe Clearances	21
5.8.1.2	Vertical Vent Pipe Clearances	21
6.	Allowable Vent Configurations	22
6.1	Removing or installing restriction plates	23
6.1.1	Removing or installing the glass panes	23
6.2	Removing the Catalyst	24
6.3	Prepare Appliance for Wiring	25
6.4	Wiring Requirements	25
6.5	Gas supply	25

7.	Placing the Burner Logs and Media Arrangement	27
7.1	Birch and Oak Log Kit	27
8.	Framing	31
8.1	Framing Requirements	31
8.2	Chase Floor/Platform	31
8.3	General clearances	31
8.3.1	Viewing area clearing zone	31
8.4	Heat release	32
8.5	Calculating Convection Air Outlet Opening	33
8.6	Sprinkler Clearance to Heat Release	33
8.7	Air Intake Opening	33
8.8	Heat Transfer to Rooms other than the Room where the Fireplace is Installed	34
8.9	Recessed TV/Artwork	34
8.10	Framing and covering	34
9.	Appendix 1 - Lighting Instructions	41
10.	Appendix 2 - Wall Switch	42
10.1	Operating the Switch	42
10.1.1	To Turn ON Appliance	42
10.1.2	Flame Height Adjustment	42
10.1.3	Standby Mode (Pilot Flame)	42
10.1.4	To Turn OFF Appliance	42
10.1.5	To Open and Close Solenoid Valve / Burner	42
11.	Appendix 3 - Wiring diagram	43
12.	Appendix 4 - Warranty	44
12.1	The Warranty	44
12.2	Warranty Coverage	44
12.3	Warranty period two-year on parts from the date of the original purchase by the consumer.	44
12.4	Conditions and Limitations	45
12.5	No Other Warranty	45
12.6	Investigation of Claims against Warranty	45
12.7	How to Register a Warranty Claim	45
13.	Appendix 5 - Operation	46
13.1	Symax handset	46
13.2	Synchronization of receiver/handset	46
13.3	General notes	47
13.4	Function Activation / Deactivation	47
13.5	Description of the Functions	48
13.5.1	Setting the Temperature Unit	48
13.5.2	Setting the Time	48
13.5.3	Child-Proof Function	48
13.5.4	Turning on Fire	48
13.5.5	Standby Mode (Pilot Flame)	49
13.5.6	To Turn Off Fire	49

13.5.7	Flame Height Adjustment.....	49
13.5.8	Designated Low Fire and High Fire.....	49
13.5.9	Countdown Timer.....	50
13.5.10	2nd Burner Function.....	50
14.	Appendix 6 - Dimensions.....	51
14.1	LINA G 60-19.....	51
14.2	EKKO G U 60/14-19.....	53
14.3	EKKO G L 60/14-19.....	55
14.4	EKKO G R 60/14-19.....	57
15.	Appendix 7 - Access panel.....	59
16.	Appendix 8 - Maintenance.....	60
16.1	Firebox.....	60
16.1.1	Catalyst Inside the FireBox:.....	60
16.2	Vent system.....	60
16.3	Glass Assemblies.....	61
16.4	Electronics Servicing and Repair.....	61
17.	Appendix 9 - Spare Parts and Accessories Overview.....	62

Index of Tables

Table 1:	Product Specifications.....	9
Table 2:	Approved Venting Components.....	16
Table 3:	Minimum Vent Clearances to Combustibles.....	18
Table 4:	Vent Terminal Locations - Minimum Distances Measured from the Center of Vent.....	19
Table 5:	Roof Pitch.....	20
Table 6:	Convection air.....	32
Table 7:	Maximum Warranty Period.....	43
Table 8:	Overview Spare-Parts.....	61
Table 9:	Overview Accessories.....	62

Index of Illustrations

Fig. 1: Clearance in front of Fireplace.....	11
Fig. 2: Product before Installation.....	14
Fig. 3: Levelling the Unit.....	14
Fig. 4: Fireplace Clearances.....	14
Fig. 5: Typical Co-Axial Venting Components.....	17
Fig. 6: Minimum Clearances to Vent Termination.....	19
Fig. 7: Minimum Clearances to Vent Termination.....	20
Fig. 8: Allowable vent configurations.....	22
Fig. 9: Venting example.....	22
Fig. 10: Gas and electricity connection points.....	25
Fig. 11: Fireplace platform.....	31
Fig. 12: Fireplace clearances.....	31
Fig. 13: Circulation of air.....	32
Fig. 14: Air Ducts.....	33
Fig. 15: Area of opening.....	33
Fig. 16: Air Intake Opening.....	34
Fig. 17: Recessed TV/Work of Art.....	34
Fig. 18: Framing Dimensions - with Airboxes.....	37
Fig. 19: Framing Dimensions - Without Airboxes.....	37
Fig. 20: Framing Dimensions - Without Airboxes Covered.....	38
Fig. 21: Framing Dimensions - With Decorative Frame.....	38
Fig. 22: Framing Dimensions - with Side Air Inlets.....	39
Fig. 23: Framing Dimensions - without Side Air Inlets.....	39
Fig. 24: Framing Dimensions - in a Corner.....	40
Fig. 25: Wall Switch.....	42
Fig. 26: Wiring Diagram.....	43
Fig. 27: Synchronization in progress.....	46
Fig. 28: Function Symbols on the Display.....	47
Fig. 29: LINA G 60-19 - Dimensions - Front View.....	51
Fig. 30: LINA G 60-19 - Dimensions - Left Side View.....	51
Fig. 31: LINA G 60-19 - Dimensions - Right Side View.....	52
Fig. 32: LINA G 60-19 - Dimensions - Top View.....	52
Fig. 33: EKKO G U 60/14-19 - Dimensions - Front View.....	53
Fig. 34: EKKO G U 60/14-19 - Dimensions - Left Side View.....	53
Fig. 35: EKKO G U 60/14-19 - Dimensions - Right Side View.....	54
Fig. 36: EKKO G U 60/14-19 - Dimensions - Top View.....	54
Fig. 37: EKKO G L 60/14-19 - Dimensions - Front View.....	55
Fig. 38: EKKO G L 60/14-19 - Dimensions - Left Side View.....	55
Fig. 39: EKKO G L 60/14-19 - Dimensions - Right Side View.....	56
Fig. 40: EKKO G L 60/14-19 - Dimensions - Top View.....	56
Fig. 41: EKKO G R 60/14-19 - Dimensions - Front View.....	57
Fig. 42: EKKO G R 60/14-19 - Dimensions - Left Side View.....	57
Fig. 43: EKKO G R 60/14-19 - Dimensions - Right Side View.....	58
Fig. 44: EKKO G R 60/14-19 - Dimensions - Top View.....	58
Fig. 45: Access Panel.....	59

1. Introduction

1.1 About this manual

These are the original assembly instructions in English. A French version is also available. Please check the website (www.camina-schmid.com) for the latest version of the manual.

The gas fireplace inserts are built according to state-of-the-art technology and recognized safety regulations. These assembly instructions will help you to handle the heating technology "gas fireplace insert" safely and professionally.

Compliance with these installation instructions serves your safety and is a prerequisite for proper functioning as well as environmentally compatible operation. The product may only be used in a safe condition and as intended.

Only the original spare parts recommended and offered by Camina & Schmid Inc. may be used and installed by a specialist!

In case of improper handling - from transport to disposal - the manufacturer's warranty and the warranty claim will expire.

These installation instructions are only valid with the enclosed operating instructions. Information and notes in the operating instructions must be observed.

Accessories for optional equipment are available for the gas fireplace insert, which may only be installed by qualified personnel. The assembly instructions provided with the accessories must be observed!

1.2 Safety Marks

The following paragraph highlights and symbols are used in this manual:

DANGER

- Indicates an imminent danger that will lead to serious bodily injury or death.

WARNING

- Indicates a potentially hazardous situation which, if not avoided, could result in serious bodily injury or death.

CAUTION

- Indicates a potentially hazardous situation which, if not avoided, could result in minor personal injury.

NOTICE

- Indicates a potentially hazardous situation which, if not avoided, could result in property and environmental damage.

SAFETY

- Provides important information for the safe use of the product and points out possible hazards. It provides information on how to avoid hazards.

REGULATIONS

- Provides information on applicable regulations for a specific topic.

1.3 General Safety Information

Local codes and regulations that are more stringent than the requirements in this manual take precedence over Camina & Schmid Inc. requirements.

DANGER

Fireplace Operation

- Do not operate the fireplace:
 - If the glass is NOT properly secured in place.
 - If the glass is cracked
 - If you smell gas.
 - If you have any doubt about safe operation of the fireplace.
 - If any part of the fireplace has been under water.
 - If any part has been under water, do not use the fireplace. Immediately call a qualified, professional service technician to inspect the fireplace and to replace any parts of the control system and any gas controls which have been under water.

DANGER

Fireplace Temperature

- Due to hot temperatures, the fireplace should be located out of room traffic and away from furniture and draperies.
- Children and adults should be alerted to the hazards of high surface temperature and should stay away to avoid burns or clothing ignition.
- Clothing or other flammable material should not be placed on or near the fireplace.
- Young children should be carefully supervised when they are in the same room as the fireplace. Toddlers, young children, and others may be susceptible to accidental contact burns.
- A physical barrier is recommended if there are at-risk individuals in the house.
- To restrict access to a fireplace or stove, install an adjustable safety gate to keep toddlers, young children, and other at-risk individuals out of the room and away from hot surfaces.

DANGER

Heat Barrier

- A barrier in the form of a second Glass pane designed to reduce the risk of burns from hot viewing glass is provided with this fireplace and shall be installed. The fireplace **MUST** not be used without the heat barrier in place. If the barrier becomes damaged, the barrier shall be replaced with the manufacturer's barrier or with a product that exactly meets the manufacturer's specifications for this fireplace.

DANGER

Electrical Grounding

- All electrical connections must be properly installed, insulated, and secured to avoid potential **ELECTRICAL SHOCK** and **FIRE HAZARD** and malfunction of the system.

DANGER

Flammable Substances

- Do not store or use gasoline or other flammable vapors and liquids near this fireplace.

DANGER

Operation

- Do **NOT** block the air inlet openings at the bottom of the appliance.
- Do **NOT** block or obstruct the flow of the combustion and ventilation air.

WARNING

Installation

- Be sure to review all safety warnings and installation guidelines contained in this manual. Consider installation location, vent configuration, clearances, structural requirements, framing and finish materials, and local codes applicable to all Camina & Schmid Inc. products.

⚠ WARNING

Material Usage

- All materials and objects used to carry out the installation must be certified/approved or specified by Camina & Schmid Inc. and be suitable for use. Do NOT install the system with different materials or objects than those approved for installation as specified in this manual.

⚠ WARNING

Gas Type

- This fireplace is for use only with the type of gas indicated on the rating plate. These fireplaces are not convertible for use with other gases unless a certified kit is used, and the conversion is performed by an authorized and qualified technician.

⚠ WARNING

Exposure to Chemicals - CALIFORNIA PROP 65

- These products and the fuels used to operate these products (liquid propane or natural gas), and the products of combustion of such fuels, can expose you to chemicals including benzene, carbon monoxide, and ceramic fibers, which are known to the state of California to cause cancer and/or reproductive harm. For more information, visit www.p65warnings.ca.gov

⚠ CAUTION

Glass Handling

- Handling glass panes should be done with the right tools and aids, and with appropriate caution. It remains glass, it can be sharp which is why the utmost caution is required.

SAFETY

Installation and Repairs

- Installation and repairs on the fireplace and vent system must be done by an authorized Camina & Schmid Inc. qualified installer service agency or gas supplier.
- All replacement parts must be genuine Camina & Schmid Inc. parts, or parts to the exact same specification. If these components are not installed by an authorized dealer/installer, the warranty of all components will be void and Camina & Schmid Inc. will not be responsible for any damage caused by improper installation.
- The fireplace should be inspected before use and at least annually by a professional service person.
- More frequent cleaning may be required due to excessive lint from carpeting, bedding material, etc. Control compartments, burners and circulating air passageways of the fireplace must be kept clean.
- Any alteration to the product can cause soot or carbon to form and may result in damage. This damage and any other damage that results from not following the instructions outlined in this manual is not the responsibility of Camina & Schmid Inc.

REGULATIONS

Applicable Codes

- The installation must conform with local codes or, in the absence of local codes, with the National Fuel Gas Code, ANSI Z223.1/NFPA 54, or the Natural Gas and Propane Installation Code, CSA B149.1.

REGULATIONS

Electrical Grounding

- Consult local building code requirements. In the absence of local codes, refer to the National Electric Code, ANSI/NFPA 70, or the Canadian Electric Code, CSA C22.1

REGULATIONS

Gas Conversion

- Conversion is performed by an authorized and qualified technician. The appliance complies with ANSI Z21.88 / CSA 2.33 – 2019 and CSA 2.17 – 2017.

2. Product Information

2.1 Appliance Certification

Laboratory:

Labtest Certification inc.

Standards:

- ANSI Z21.88-2019/CSA 2.33-2019, Vented Gas Fireplace Heaters
- CSA 2.17 2017, Gas-Fired Appliances for Use at High Altitudes
- CSA P.4.1 – 2021 - Testing Method for Measuring Fireplace Efficiency.

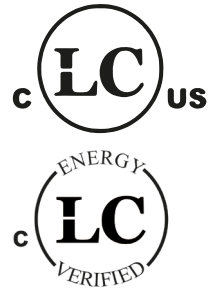


Table 1: Product Specifications

	Unit	Natural gas	LPG
Model		EKKO G U 60/14-19	
		EKKO G R 60/14-19, EKKO G L 60/14-19	
		LINA G 60-19	
Gas		Natural	Propane
Altitude	Feet* [m]	0 - 4,500 [0 - 1,370]	
Input Maximum	Btu/h	43,500	35,600
	kW	12.7	10.5
Input Minimum	Btu/h	20,800 Btu/h	15,400
	kW	6.0	4.5
Efficiency	%	67.7	69.8
Manifold Pressure high	inwc	4.0	6.7
	kPa	0.99	1.66
Manifold Pressure low	inwc	2.3	2.6
	kPa	0.56	0.65
Minimum Supply Pressure	inwc	4	8
	kPa	1.00	2.00
Maximum Supply Pressure	inwc	10.5	13
	kPa	2.54	3.23
Main Burner Injector Marking		1: 1.4 4: 1.6 2: 1.2 5: 1.1 3: 1.1 6: 1.4	1: 0.8 4: 1.0 2: 0.9 5: 0.7 3: 0.7 6: 0.8
Pilot Injector Marking		18	12
Primary air		1, 2, 3, 5, 6 : 1 x 4 mm 4 : 1 x 5 mm	1, 2, 4, 5, 6 : 3 x 6 mm 3 : 2 x 5 mm

* Refer to „2.3 High Altitude Installations.“ on page 10 for more information.

2.2 Product Specifications

2.3 High Altitude Installations.

Input ratings are shown in BTU per hour and are certified without deration for elevations up to 4,500 feet [1,370 m] above sea level.

REGULATIONS	Elevations
<ul style="list-style-type: none"> • For elevations above 2,000 feet [610 m] in USA - Installations must be in accordance with the current ANSI Z223.1 and/or local codes having jurisdiction. The heat input rating shall be reduced by 4% for each additional 1,000 feet [305 m] to compensate for elevation—please consult your local gas utility to confirm. • For installations at elevations above 4,500 feet [1,370 m] - Please consult provincial and/or local authorities having jurisdiction. 	

2.4 Installation of Carbon Monoxide Detectors

At time of installation of side wall horizontally-vented gas-fueled equipment, the installing plumber or gas-fitter shall observe that a hard-wired carbon monoxide detector with an alarm and battery back-up is installed on the floor level where the gas equipment is to be installed.

In addition, the installing plumber or gas-fitter shall observe that a battery operated or hard-wired carbon monoxide detector is installed on each additional level of the dwelling, building or structure served by the side wall horizontally-vented gas-fueled equipment. It shall be the responsibility of the property owner to secure the services of qualified licensed professionals for the installation of hard-wired carbon monoxide detectors.

In the event that the side wall horizontally-vented gas-fueled equipment is installed in a crawl space or attic, the hard-wired carbon monoxide detector with alarm and battery back-up may be installed on the next adjacent floor level.

When requirements of this subdivision cannot be met at the time of completion of installation, the owner shall have a period of thirty (30) days to comply with the above requirements; provided, however, that during said thirty (30) day period, a battery operated carbon monoxide detector with an alarm shall be installed.

REGULATIONS	Approved Carbon Monoxide Detectors
<ul style="list-style-type: none"> • Each carbon monoxide detector as required in accordance with the above provisions shall comply with NFPA 720 and be ANSI/UL 2034 listed and IAS certified. 	

2.5 Signage

A metal or plastic identification plate shall be permanently mounted to the exterior of the building at a minimum of eight (8) feet [2.5 m] above grade directly in line with the exhaust vent terminal for the horizontally-vented gas-fueled heating appliance or equipment. The sign shall read, in print no less the one-half (½) inch [12,7 mm] in size,

**“GAS VENT DIRECTLY BELOW.
KEEP CLEAR OF ALL OBSTRUCTIONS”.**

2.6 Exemptions

The following equipment is exempt from 248 CMR 5.08 (2) (a) 1 through 4: The equipment listed in Chapter 10 entitled “Equipment Not Required To Be Vented” in the most current edition of NFPA 54 as adopted by the Board; a Product Approved side wall horizontally-vented gas-fueled equipment installed in a room or structure separate from the dwelling, building or structure used in whole or in part for residential purposes.

3. Fireplace Safety

3.1 Appliance Safety

This manual contains very important information about the safe installation and operation of the fireplace.

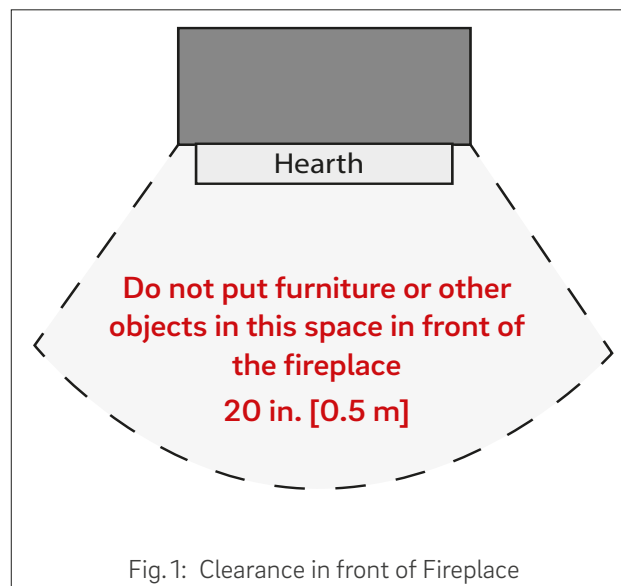
Read and understand all instructions carefully before installing and operating the fireplace. Failure to follow these instructions may result in possible fire hazard and will void the warranty.

Replacement manuals are available by contacting the Camina & Schmid Inc. Customer service, or by visiting the website.

⚠ DANGER

Extremely Hot! Heat and Flammability

- **Some parts of the fireplace are extremely hot, particularly the glass windows. The internal glass windows can exceed 400°F [205 °C] at full capacity.**
- **A second pane window to reduce the risk of burns from the hot glass is provided with this appliance and shall be installed for the protection of children and other at-risk individuals. Keep the second window (safety barrier) in place to reduce the risk of severe burns.**
- **Any glass/safety panel removed for servicing an appliance must be replaced prior to operating the appliance. Children and adults should be alerted to the hazards of high surface temperature.**
- **Always keep the appliance clear and free from combustible materials, gasoline, and other flammable vapors and liquids.**
- **Be aware of hot wall surfaces! The walls directly above the fireplace can get very hot when the fireplace heats. Although safe, it may reach temperatures in excess of 200°F [93°C] depending on choice of optional accessories. Do not touch!**
- **Be aware of hot hearth/floor surfaces! Any projections directly around the fireplace can get very hot when the fireplace heats. Although safe, they may reach temperatures in excess of 200°F [93°C] depending on elevation of hearth. Be careful of touching these! Temperature of projection surfaces will be reduced when barrier screens are installed.**
- **Due to high temperatures, the appliance should be located out of traffic areas and away from furniture and draperies.**
- **Due to high temperatures use care when placing photos, paintings and other combustible objects sensitive to heat or furniture within 20 inches [0.5 m] around the fireplace.**
- **Clothing or flammable material should not be placed on or near the appliance.**
- **Children and adults should be alerted to the hazards of high surface temperature and should stay away to avoid burns or clothing ignition.**
- **Young children should be carefully supervised when they are in the same room as the appliance. Toddlers, young children, and others may be susceptible to accidental contact burns. A physical barrier is recommended if there are at-risk individuals in the house.**
- **To restrict access to a fireplace or stove, install an adjustable safety gate to keep toddlers, young children, and other at-risk individuals out of the room and away from hot surfaces.**



3.2 Glass

WARNING

Glass front

- The glass front assemblies must be in place and sealed before the unit can be placed into safe operation.
- Do not strike or slam the glass front.
- Do not operate this appliance with the glass front removed, cracked, or broken.
- Replacement of the glass front should be performed by a licensed or qualified service person.
- The glass front assemblies must only be replaced as complete units, as supplied by the fireplace manufacturer. No substitute material may be used.

NOTICE

Glass front

- Do not use abrasive cleaners on the glass front assemblies.
- Do not attempt to clean the glass when it is hot.

3.3 Venting

WARNING

Venting

- This unit must be used with the vent system as defined in this manual. No other vent system or components may be used.
- Never obstruct the flow of combustion and ventilation air.
- Keep the front of the appliance clear of all obstacles and materials for servicing and proper operation.
- This gas fireplace and vent assembly must be vented directly to the outside and must never be attached to a chimney serving a separate solid-fuel burning appliance.
- Each gas appliance must use a separate vent system. Common vent systems are prohibited.

3.4 Intended Use

This appliance is designed and approved as a supplemental heater and provides the potential for most energy conservation when used while attended. The use of an alternate primary heat source is advisable.

NOTICE

Usage

- This unit is not for use with solid fuel.
- Do not use this heater as a temporary source of heat during construction.

3.5 Installing and Servicing

The appliance should be inspected before use and at least annually by a professional service person. More frequent cleaning might be required due to excessive lint from carpeting, bedding material, et cetera.

WARNING

Servicing

- It is imperative that control compartments, burners, and circulating air passageways of the appliance be kept clean.
- Installation and repair should be done by a qualified service person.

4. Installation

4.1 Prior to Starting the Installation.

NOTICE

Read all the instructions before starting the installation

- Follow these instructions carefully during the installation to ensure maximum safety and benefit. Follow the steps below to ensure proper installation of the gas appliance.

Prior to starting the installation, make sure you read and understand all WARNING information in this manual. Do not start the installation if you are unclear about any of the installation-related subjects.

Determine the following:

- The vent system configuration to be used based on the fireplace location.
- Clearance requirements from combustible and non-combustible materials.
- Gas supply piping.
- Electrical wiring requirements.
- Framing and finishing details.

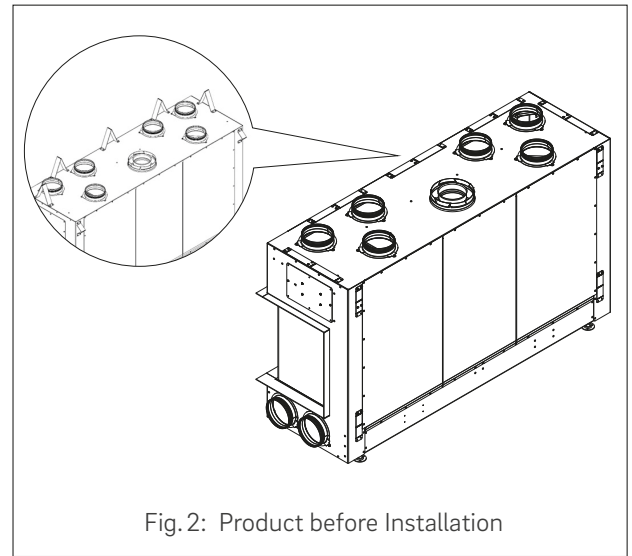
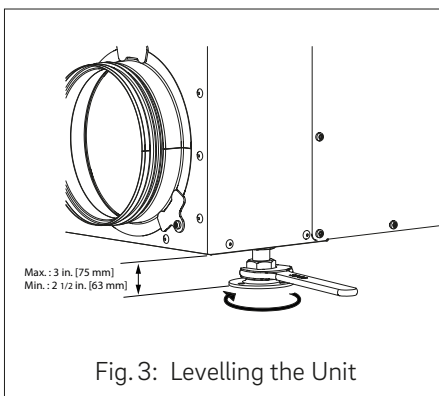
Next:

- Build the frame (refer to section „8. Framing“ on page 31).
- Unpack the fireplace box.
- Place the fireplace in the desired location. Verify clearance to non-combustible and combustible materials. Follow the clearance instructions in this manual. Refer to „Fireplace Clearances to Combustible Projections“ on page 14.
- Attach the distance brackets of the unit
- Connect the vent system to the fireplace. Refer to „Allowable Vent Configurations“ on page 22.
- Remove the frontal glass panes following the instructions in this manual, and place the glass panes in a safe place. Refer to „Removing or installing the glass panes.“ on page 23.
- Connect the gas line to the fireplace and verify gas inlet and burner pressure. Refer to „Gas supply“ on page 25.
- Confirm if adjustments for high altitude are needed (installation at above 4,500 ft [1,370 m] from sea level, refer to „High Altitude Installations.“ on page 10).
- Install mains power, refer to „Prepare Appliance for Wiring“ on page 25.
- If the black reflective glass accessory needs to be installed, perform this at this stage. Refer to the instructions provided with the accessory.
- Insert and place Fireplace media. Use media arrangement guide , refer to „Placing the Burner Logs and Media Arrangement“ on page 27.
- Verify :
 - Ignition and pilot system.
 - Burning and flame.
 - Remote control setup.
- Complete framing and wall cover.
- Clean and re-install the glass pane, and the barrier.
- Ensure the homeowner is familiar with operation of the fireplace and remote control, and can locate the ignition instructions and rating label.
- Ensure the homeowner is aware of regular maintenance schedules and potential problems that will require service.

4.2 Preparing to Install.

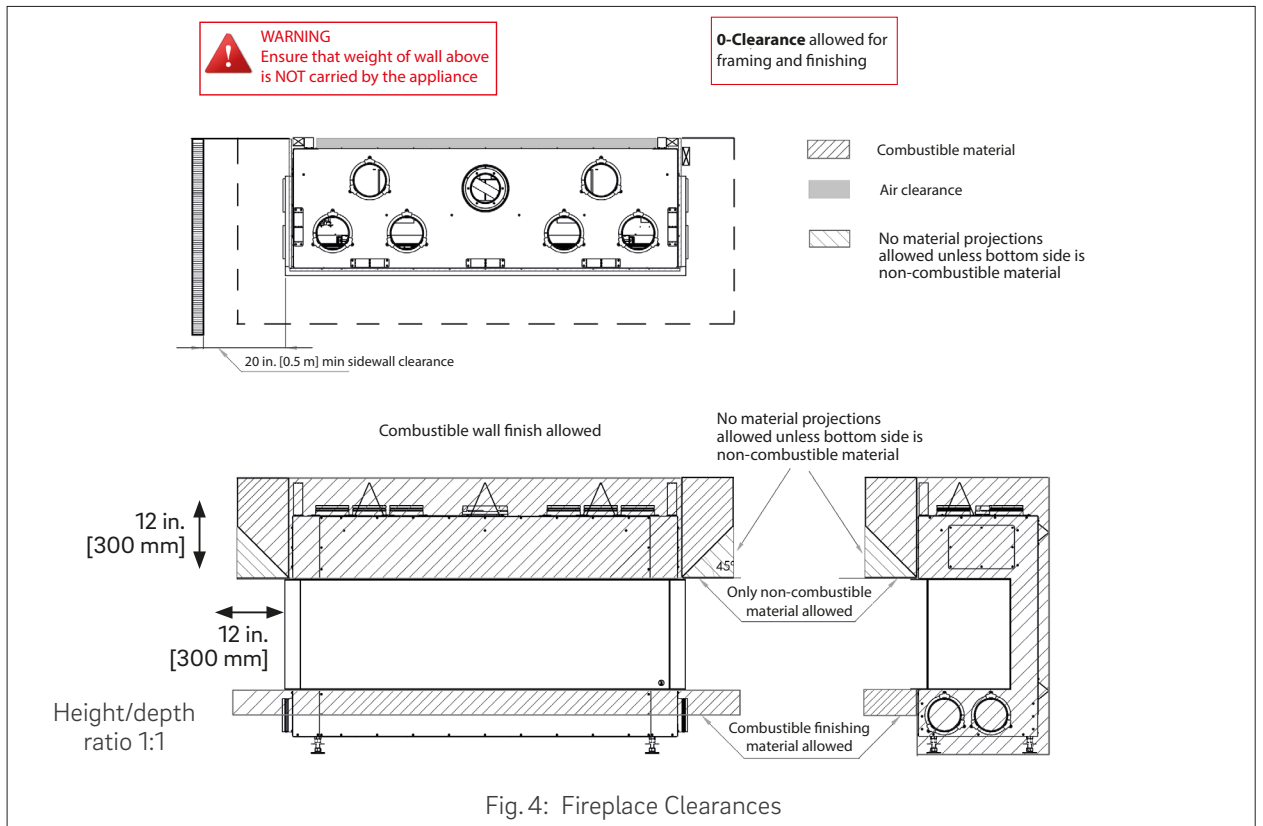
4.2.1 Fireplace Positioning

- Once the fireplace has been set to the upright position, it can be moved to its final installation location.
- Make sure the control unit is secure and not dragging on the floor during transport and positioning.
- Unit should remain on the pallet during transport inside the site location.
- When positioning the fireplace, take into consideration the clearance requirements and framing.
- Ensure unit is level. Adjust feet to level unit if necessary.
- Unfold the spacers and screw them into position.



NOTE: When levelling the unit, make sure to adjust the feet height between 2.5 in. [63 mm] and 3 in. [75 mm].

4.2.2 Fireplace Clearances to Combustible Projections



5. Venting and Vent Termination

5.1 Instructions

REGULATIONS	Local Codes
<ul style="list-style-type: none"> • These instructions should be used as a guideline and do not supersede local codes in any way. Install venting according to local codes, these instructions, the current National Fuel Gas Code (ANSI-2223.1) and/or Natural Gas and Propane Installation Code, CSA B149.1. 	

- Where a vent pipe passes through a floor or ceiling, a ceiling firestop **MUST** be used to retain insulation and maintain proper clearances. Use roof support brackets where needed.
- Install the first section of vent pipe into the collar on top of the fireplace.
- Connections between each vent system component must be tightly joined and secured. Follow the vent manufacturer’s instructions for information on how to seal and secure vent and vent connections
- Horizontal runs of vent pipe must be supported to prevent any downward sags. Horizontal pipe sections should be supported at least every 4 feet [1.2 m]. Wall straps can be used for this purpose.
- When installing the vent pipe, make sure that the vent pipe is supported by the structural frame surrounding and not by fireplace.
- It is **NOT** allowed to connect a gas appliance to the chimney flue of a solid fuel burning appliance
- Framing for vents in combustible walls and ceilings:
- When passing through combustible walls and ceilings, framing will depend on the type of vent installation, horizontal or vertical.
- Ensure that the insulation is kept clear of the vent pipe using either a wall thimble or an attic insulation shield.

⚠ DANGER	Clearances around venting components
<ul style="list-style-type: none"> • DO NOT pack insulation around the vent. Insulation must be kept back from the pipe to prevent overheating. • ALWAYS maintain specified clearances around venting and firestop systems. Install wall shield and ceiling firestops as specified. 	

- Follow the installation instructions supplied with the individual venting components.

NOTICE	Approved Pipe.
<ul style="list-style-type: none"> • This appliance is approved for use with DirectVent Pro venting. • DO NOT mix pipe, fittings or joining methods from different manufacturers. 	

For detailed chimney installation information please use the manufacturer's DirectVent Pro installation manual.

5.2 Vent size

All appliances described in this manual use the same vent size: 5 in. x 8 in. [130 mm x 200 mm]

5.3 Approved Venting Components

Table 2: Approved Venting Components

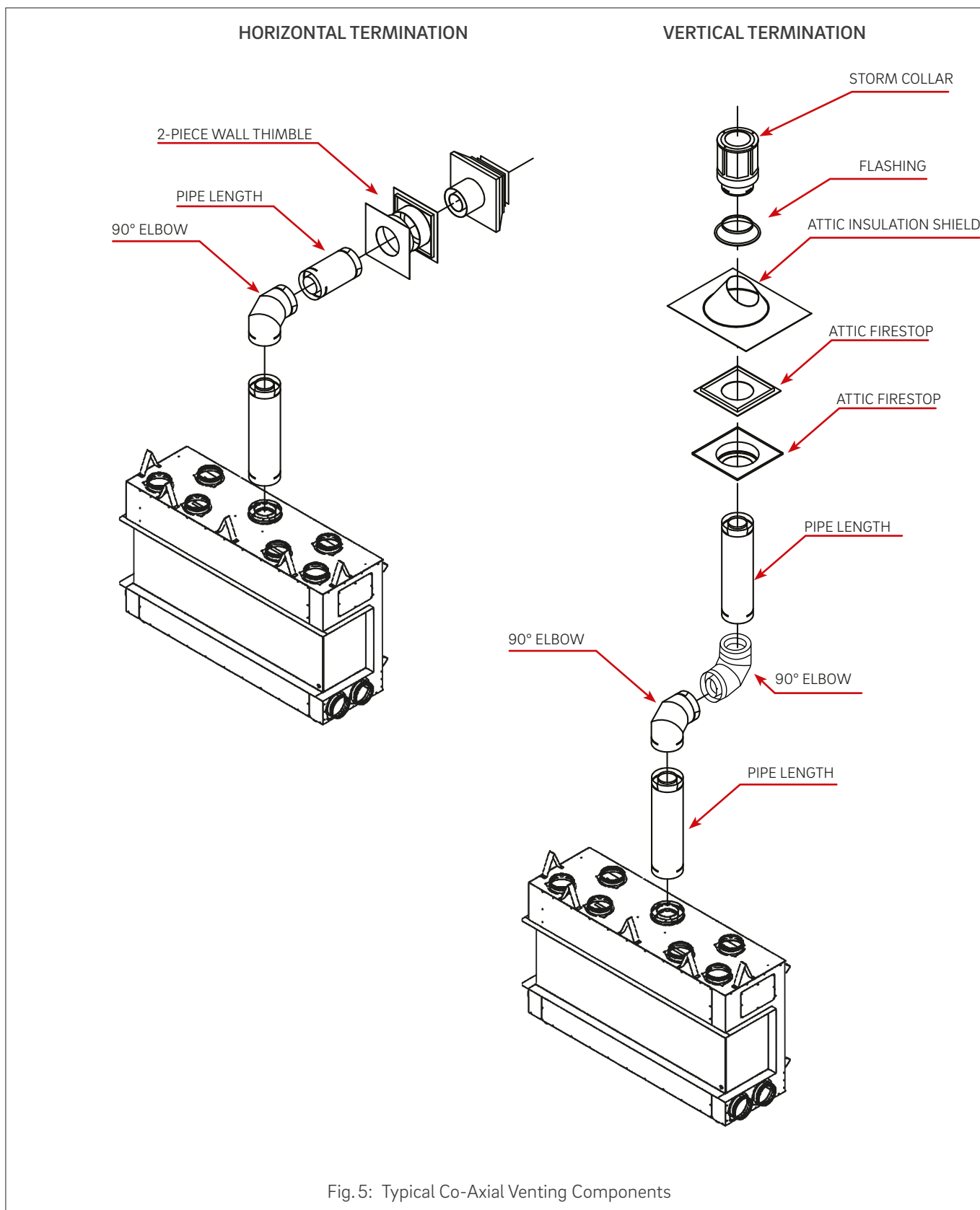
	Venting parts			Duravent
	Length			5 x 8 in.
	inches	centimeters		
Pipes	6	15	Galvanised	58DVA-06
			Black	58DVA-06B
	7	18	Galvanised	58DVA-07
			Black	58DVA-07B
	9	23	Galvanised	58DVA-09
			Black	58DVA-09B
	12	31	Galvanised	58DVA-12
			Black	58DVA-12B
	18	45	Galvanised	58DVA-18
			Black	58DVA-18B
	24	61	Galvanised	58DVA-24
			Black	58DVA-24B
	36	91	Galvanised	58DVA-36
			Black	58DVA-36B
	48	122	Galvanised	58DVA-48
			Black	58DVA-48B
Elbows	90°		Galvanised	58 DVA E90
			Black	58 DVQ E90B
	45°		Galvanised	58 DVA E45
			Black	59 DVA E45B
Flashings	Roof Flashing 0/12 - 6/12			58 DVA F6D5
	Roof Flashing 7/12 - 12/13			58 DVA F12D5
	Flat Roof Flashing			58 DVA FF
	Masonry Flashing			
	New Siding Flashing			
	Horizontal Cap V2			58 DVA V2
	High Wind termination cap			58 DVA VCH
	Wall Thimble			
	Storm Collar			

NOTICE

Components

- Components without a reference will be defined by the installer.

5.4 Typical Co-axial Venting Components



5.5 Clearances

5.5.1 Minimum Clearances to Vent Termination

5.5.2 Horizontal Vent Clearances

A minimum clearance of 3 in. [7.5 cm] to the top and 2 in. [5 cm] to the sides and bottom of the vent pipe on all horizontal runs to combustibles is required.

5.5.3 Vertical Vent Clearances

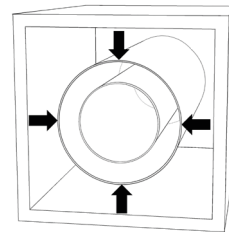
A minimum of 1 in. [2.5 cm] all around the vent pipe on all vertical runs to combustibles is required except for clearances in appliance enclosures. Horizontal vents must have a minimum ¼ in. [0.6 cm] rise per 1 foot [30 cm] towards the termination.

5.6 Horizontal termination

5"x8" venting (rigid Vent Systems) `

Table 3: Minimum Vent Clearances to Combustibles

	inches	centimeters
Horizontal to Top	3	7.5
Horizontal to Side	2	5
Horizontal to Bottom	2	5
Vertical in all directions	2	5



NOTICE

Installation

- **Install the vent system according to the manufacturer’s instructions included with the components.**
- Set the unit in its desired location. Check to determine if wall studs or roof rafters are in the way when the venting system is attached. If this is the case, you may want to adjust the location of the unit. Rough in the gas preferably on the right side of the unit and the electrical (junction block is on the left side) on the left.
- Direct vent pipe and fittings are designed with special twist-lock connections to connect the venting system to the appliance flue outlet. A twist-lock appliance adaptor is required.
- In conjunction with the Approved Vent system, install the adaptor after the unit is set in its desired location. Put a bead of Mill-Pac inside the outer section of the adaptor and a bead of Mill-Pac on the inner collar. Slip the adaptor over the existing inner and outer flue collar. Fasten to the outer collar only with the 3 supplied screws (drilling pilot holes will make this easier). This adaptor is typically factory installed.
- Level the fireplace and fasten it to the framing using nails or screws through the top and side nailing strips.
- Assemble the desired combination of pipes and elbows to the appliance adaptor and twist-lock for a solid connection.

NOTICE

Vent support

- **Horizontal runs of vent must be supported every 3 ft [0.9 m]. Wall straps are available for this purpose.**
- Mark the wall for a square hole (see Table 3 and related figure above for size). The center of the square hole should line up with the centerline of the horizontal pipe. Cut and frame the square hole in the exterior wall where the vent will be terminated.

NOTICE

Vent leveling

- **The horizontal run of vent must be level, or have a ¼" [0.6 cm] rise for every 1 foot [30 cm] of run towards the termination. Never allow the vent to run downward. This could cause high temperatures and may present the possibility of a fire.**
- The location of the horizontal vent termination on an exterior wall must meet all local and national building codes.
- Ensure that the pipe clearances to combustible materials are maintained. Install the termination cap.

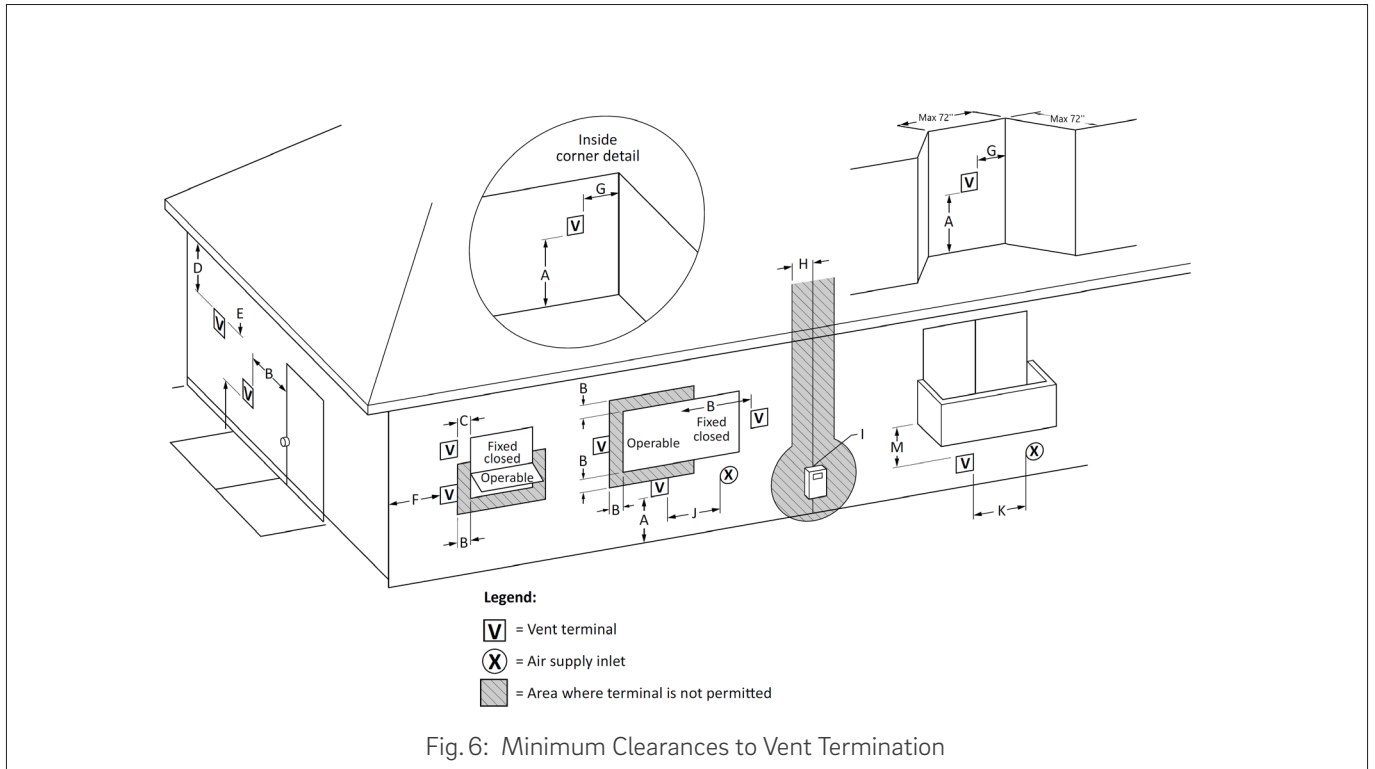


Fig. 6: Minimum Clearances to Vent Termination

KEY	Table 4: VENT TERMINAL LOCATIONS - MINIMUM DISTANCES Measured from the center of vent	MINIMUM CLEARANCE	
		Inches	Centimeters
A	Clearance above grade, veranda, porch, deck or balcony.	12	30
B	Clearance to window or door that may be opened.	12	30
C	Clearance to permanently closed window (recommended to prevent condensation on window).	12	30
D	Vertical clearance to ventilated soffit located above the terminal within a horizontal distance of 2 feet [60 cm] from the center-line of the terminal.	18	46
E	Clearance to unventilated soffit.	12	30
F	Clearance to outside corner.	12	30
G	Clearance to inside corner.	12	30
H	Horizontal clearance to center-line of meter/regulator assembly located within 15 feet (4.6bm) below the terminal.	36	90
I	Clearance to service regulator vent outlet .	36	90
J	Clearance to non-mechanical air supply inlet to the building or the combustion air inlet to any other appliance.	12	30
K	Clearance to a mechanical air supply inlet.	72	185
L	Clearance above paved sidewalk or a paved driveway located on public property Note: A vent must not terminate directly above a sidewalk or paved driveway, which is located between two single family dwellings and serves both dwellings. THIS DOES NOT APPLY to direct vent, non-condensing appliances in the Province of Ontario.	84	215
M	Clearance under a veranda, porch, deck or balcony. Only permitted if veranda, porch, deck or balcony is fully open on a minimum of 2 sides beneath the floor.	12	30

NOTICE Termination installation

- **If installing termination on a vinyl siding covered wall, a vinyl siding standoff or furring strips must be used to ensure that the termination is not recessed into the siding. The four wood screws provided should be replaced with appropriate fasteners for stucco, brick, concrete, or other types of sidings.**
- Before connecting the horizontal run of vent pipe to the vent termination, slide the Wall Thimble over the vent pipe. The wall thimble is required for all horizontal terminations.
- Slide the appliance and vent assembly towards the wall, carefully inserting the vent pipe into the vent cap assembly. It is important that the vent pipe extends into the vent cap at a sufficient distance so as to result in a minimum pipe overlap of 1-¼ in. [3.2 cm]. Secure the connection between the vent pipe and the vent cap.
- Install wall thimble in the center of the framed hole and attach with wood screws.

5.7 Vertical Termination

NOTICE Clearances

- **A top clearance of 3 in. [7.6 cm] and side bottom clearance of 2 in. [5 cm] must be maintained, except when passing through a wall, ceiling, or at the termination where the use of a fire stop or wall thimble reduces the required clearance to 1 ½ in. [3.8 cm]. We recommend building a frame around the fire stop or wall thimble to give structural rigidity for mounting the termination. See manufacturer's table cutout dimensions for appropriate sizing for component used.**

Maintain the 1 ½" [3.8 cm] clearance to combustibles when passing through ceilings, walls, roofs, enclosures, attic rafter, or other nearby combustible surfaces, ensuring that the use of a fire stop or wall thimble is used as noted above. Do not pack clearance space with insulation. Consult the relevant section for the maximum vertical rise of the venting system and the maximum horizontal offset limitations.

Table 5: Roof Pitch

Minimum Vent Height	Feet	Meters
flat to 6/12	1	0.30
over 6/12 to 7/12	1 ¼	0.38
over 7/12 to 8/12	1 ½	0.45
over 8/12 to 9/12	2	0.61
over 9/12 to 10/12	2 ½	0.76
over 10/12 to 11/12	3 ¼	0.99
over 11/12 to 12/12	4	1.22
over 12/12 to 14/12	5	1.52
over 14/12 to 16/12	6	1.83
over 16/12 to 18/12	7	2.13
over 18/12 to 20/12	7 ½	2.29
over 20/12 to 21/12	8	2.44

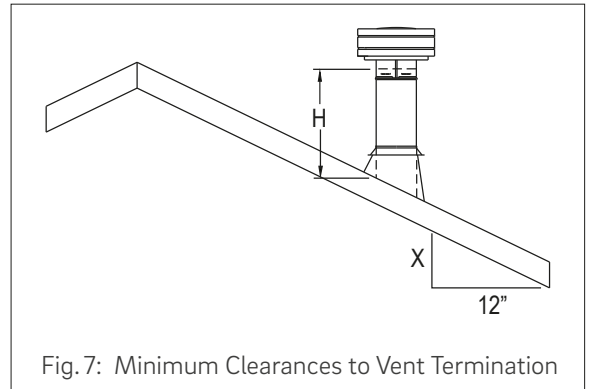


Fig. 7: Minimum Clearances to Vent Termination

- Set the gas appliance in its desired location.
- Drop a plumb bob down from the ceiling to the position of the appliance flue exit, and mark the location where the vent will penetrate the ceiling. Drill a small hole at this point.
- Next, drop a plumb bob from the roof to the hole previously drilled in the ceiling, and mark the spot where the vent will penetrate the roof. Determine if ceiling joists, roof rafters or other framing will obstruct the venting system. You may wish to relocate the appliance or to offset to avoid cutting load-bearing members.

- A firestop spacer must be installed in the floor or ceiling of every level.
- Assemble the desired lengths of pipe and elbows. Ensure that all pipes and elbow connections are in the fully twist-locked position and sealed.
- Cut a hole in the roof centered on the small drilled hole placed in the roof. The hole should be of sufficient size to meet the minimum requirements for clearance to combustibles of 1 ½ in. [3.8 cm].
- Slip the flashing under the shingles (shingles should overlap half the flashing).
- Continue to assemble pipe lengths.

NOTICE	Clearances
<ul style="list-style-type: none"> • If an offset is necessary in the attic to avoid obstructions, it is important to support the vent pipe every 3 feet [90 cm], to avoid excessive stress on the elbows, and possible separation. Wall straps are available for this purpose. • Galvanized pipe is desirable above the roofline due to its higher corrosion resistance. Continue to add pipe sections through the flashing until the height of the vent cap meets the minimum height requirements specified in this manual or local codes. • Note that for steep roof pitches, the vertical height must be increased. • Ensure vent is vertical and secure the base of the flashing to the roof with roofing nails, slide storm collar over the pipe section and seal with a mastic. • Install the vertical termination cap by twist locking it. 	

NOTICE	Clearances
<ul style="list-style-type: none"> • Any closets or storage spaces, which the vent passes through must be enclosed. • See DuraVent guidelines for minimum cutout dimensions or frame openings around wall venting. Make sure clearances to combustible material are maintained based on vent part used. 	

NOTICE	Cutout
<ul style="list-style-type: none"> • Cutout sizes vary according to the DuraVent part number used. 	

5.8 Vent pipe clearances.

5.8.1 Minimum Combustible Clearances from Vent Pipe

5.8.1.1 Horizontal Vent Pipe Clearances

- A minimum clearance of 3 in. [7.5 cm] to the top and 2 in. [5 cm] to the sides and bottom of the vent pipe on all horizontal runs, to combustibles, is required.

5.8.1.2 Vertical Vent Pipe Clearances

A minimum of 1 in. [2.5 cm] around the vent pipe on all vertical runs to combustibles is required, except for clearances in appliance enclosures. Horizontal Vents must have a minimum 1/4 in. [0.6 cm] rise per 1-foot [30 cm] run towards the termination.

⚠ DANGER	Vent installation
<ul style="list-style-type: none"> • Never allow the vent to run downward. A downward slope can trap heat and become a possible fire hazard. • Maintain vent clearance to combustibles as detailed above. • DO NOT pack airspace with insulation or other materials. Failure to keep insulation or other materials away from vent pipe could cause overheating and fire. • This fireplace is not designed to be load-bearing or support weight of any architectural framing. All framing should be self-supported, supported by the back wall, side wall, or ceiling. Attempting to mount framing to a fireplace subjects' glass to unsupported weight and could result in damage to fireplace or breakage of glass. Improper framing or mounting to unit will void product warranty. Please consult C&S directly for additional questions or concerns about framing options. 	

6. Allowable Vent Configurations

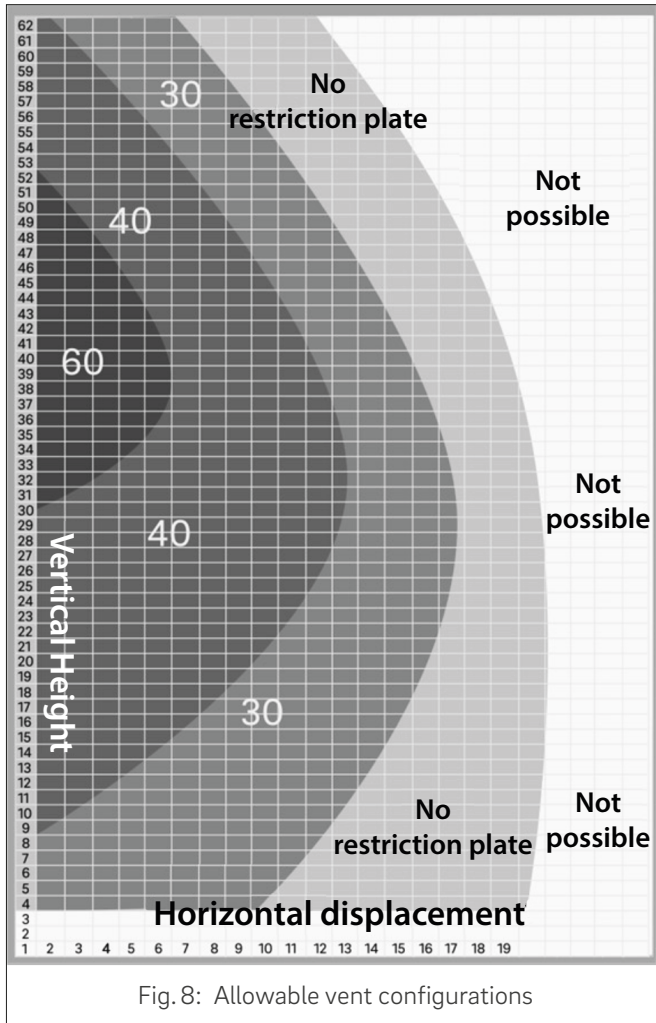


Fig. 8: Allowable vent configurations

Example (Fig. 9):

In this example, we'll use 3 4-foot elements, then a 90-degree elbow to get in the horizontal direction. Then we go 4 feet horizontally and 90 degrees around the corner and then continue another 4 feet horizontally.

Meaning: $3 \times 4 = 12$ feet [3.7 m] vertically and $4+4+6+4=18$ feet [5.5 m] horizontally.

According to the table this is not a problem and the restriction plate must be removed.

Horizontal displacement of the flue system is possible when the flue pipe has a minimum of 3 feet [0.9 m] of vertical rise. The maximum horizontal displacement is 20 feet [6.10 m] excluding the wall terminal.

The use of elbows is allowed where a vertical 90° elbow has a design value of 4 feet [1.2 m], a horizontal elbow has a resistance of 6 feet [1.8 m]. A 45° elbow has these values, a 45° vertical elbow has a resistance value of 2 feet [0.6 m] and a horizontal elbow has a resistance value of 4.

In order for the flue gas discharge configuration to function correctly, it is sometimes necessary to install flue gas passage restriction plates.

The size of these restriction plates depends on the configuration

The calculation is as follows:

- Add up the vertical rise and move to the value on the y-axis in the table.
- Add up the value of the bends and the horizontal displacement and move from the found value on the Y axis straight to the value cooperating with the addition of the horizontal component.

NOTE:

- Restriction plates are numbered according to their size, from 3 to 6 (1.18 in to 2.36 in [30 mm to 60 mm]).
- A restriction plate N° 4 (1.57 in [40 mm]) is already mounted in the appliance.

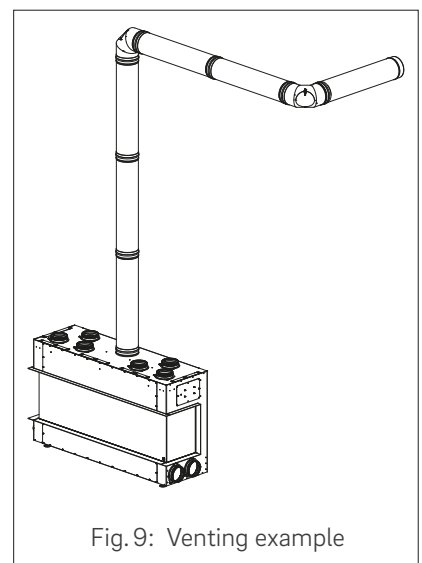
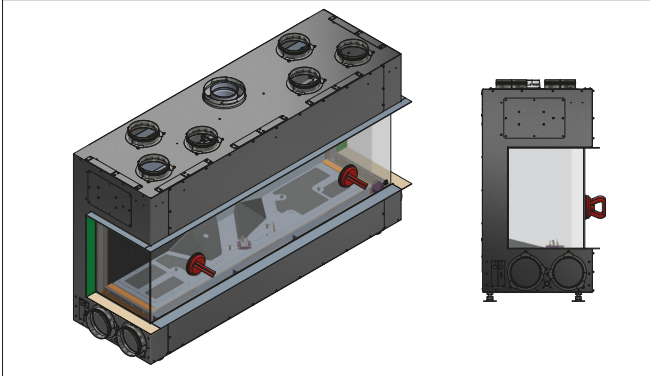


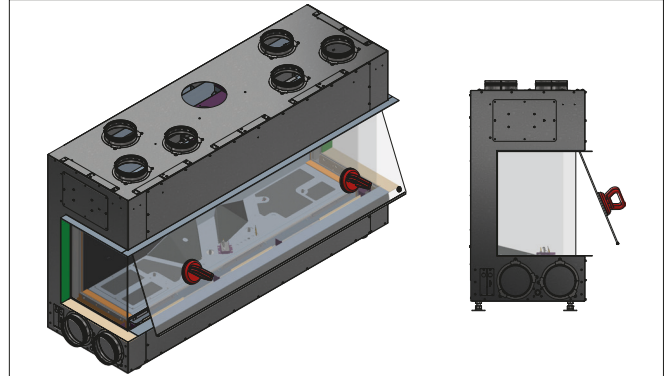
Fig. 9: Venting example

6.1 Removing or installing restriction plates

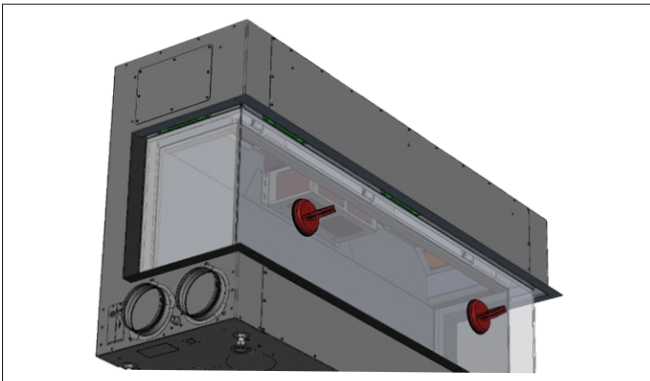
6.1.1 Removing or installing the glass panes.



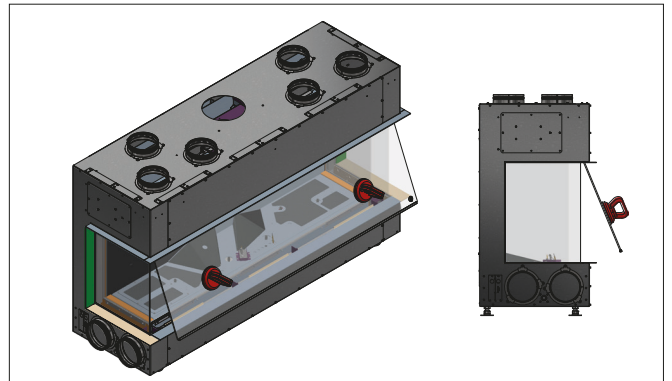
1. Place the suction cup lifters on the glass pane, making sure they are securely fastened. The cup lifters are stored on the top of the appliance for transport.
2. Release the safety glass pane (barrier) by moving the slides at the top of the fireplace upwards and lock it by sliding them to the right in the top position.



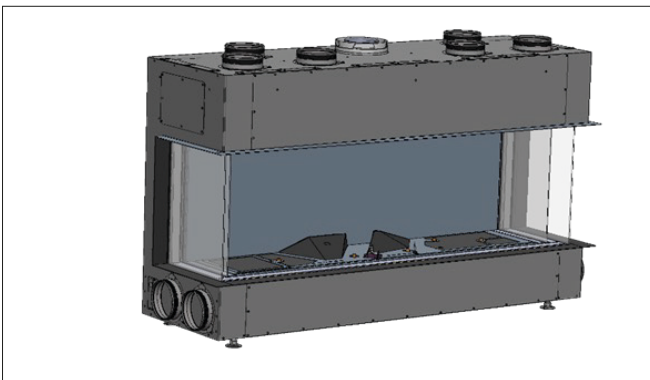
3. When the barrier is released from the clamping device, it can be lifted up and turned outwards from the bottom by using the suction cup lifters. The barrier can now be carefully transported to a safe place.



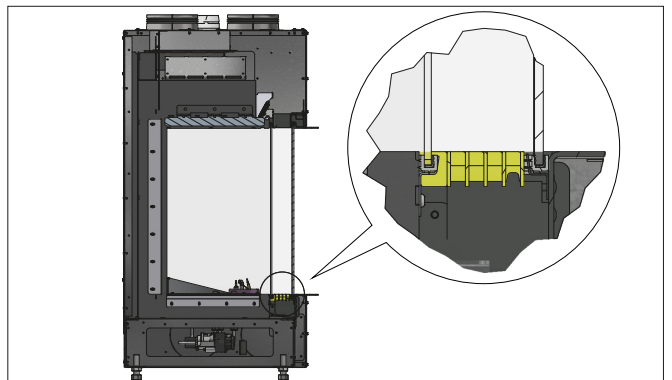
4. The barrier has now been removed and stored safely. The next glass pane has a so-called pressure-safety closure, spring-loaded, which can open in case of large overpressure to release the pressure and to avoid damage.
5. First place the suction cup lifters again and check whether they are firmly attached to the glass pane.



6. By simply pressing them upwards against the spring pressure, you pull the clamps through a flipping point, so that they remain in an open position. When all three clamps are in the flipped up position, the glass pane can be removed using the suction cup lifters by sliding the glass pane upwards and turning it outwards from the bottom.
7. Also put this glass pane in a safe place.



- Installing the glass pane and barrier is done in the reverse order. Always pay attention to a good attachment of the suction cup lifters.



- When installing the glass pane and barrier, make sure to install the glass with the seal lip inwards (flat side of the seal turned outwards).

NOTICE Glass installation

- The glass of the combustion chamber is infrared reflective glass. It is provided with a special layer that must be on the outside of the combustion chamber. The Camina & Schmid Inc. logo serves as an indicator and must be visible at the bottom right after the windows have been installed.

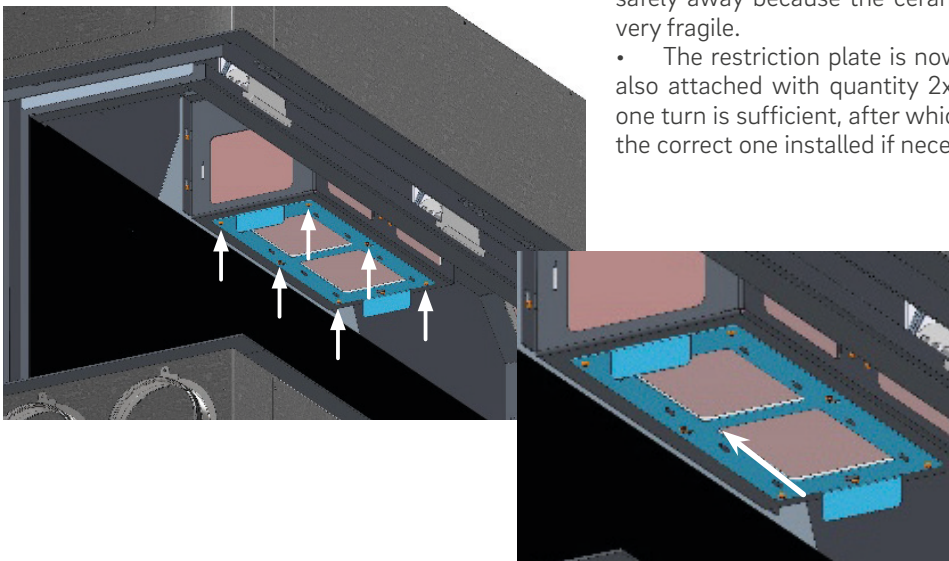
NOTICE Glass cleaning

- Cleaning of the glass must be done with suitable cleaning agents, as corrosive and aggressive agents can permanently damage the glass surface or the applied reflection layers. Make sure that fingerprints and pollution are properly removed, since pollutants can burn into the fireplace when using it and can no longer be removed.

6.2 Removing the Catalyst

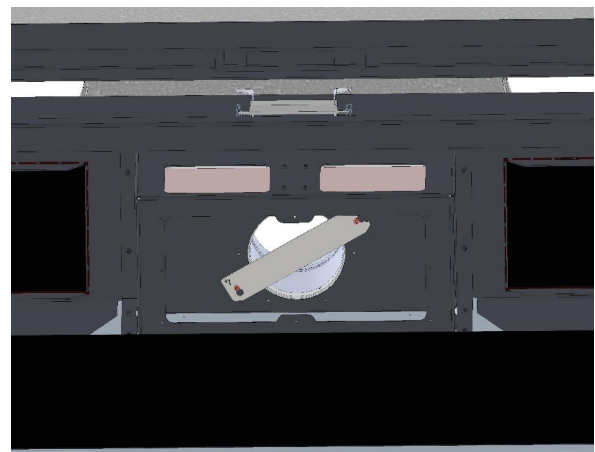
The catalyst must be removed before changing the restriction plates. You will need a Torx 20 screwdriver for this.

The catalytic converter is located at the top of the combustion chamber of the appliance. This part is attached with quantity 6 Torx 20 sheet metal screws. The 4 screws on the outer ends must be completely removed, the 2 screws in the middle only need to be loosened 1 ½ turn so that by sliding the catalytic converter to the left, it can then be easily removed. Also put this part safely away because the ceramic foam in the catalytic converter is very fragile.



- The restriction plate is now visible at the top of the device, it is also attached with quantity 2x Torx20 screws. Here too, loosening one turn is sufficient, after which the part can easily be removed and the correct one installed if necessary.

- When everything is tight again, the catalytic converter can be placed back. Make sure that it is pressed firmly against the ceiling of the combustion chamber before tightening the screws. Leakage at the top can lead to a higher CO production because the gases are no longer led through the catalytic surface.
- When these actions are correctly followed, the fireplace is adapted to the chimney configuration.



6.3 Prepare Appliance for Wiring

⚠ CAUTION

Electrical installation

- All electrical installations must be performed by a qualified electrician and must be electrically wired and grounded in accordance with local codes, or, in the absence of local codes, with the National Electrical Code, ANSI/NFPA 70.

⚠ WARNING

Usage

- Do not use this fireplace if any part has been under water. Immediately call a qualified service technician to inspect this appliance and to replace any part of the control system and any gas control which has been under water.

The connection points for gas and electricity are located on the left side of the fireplace.

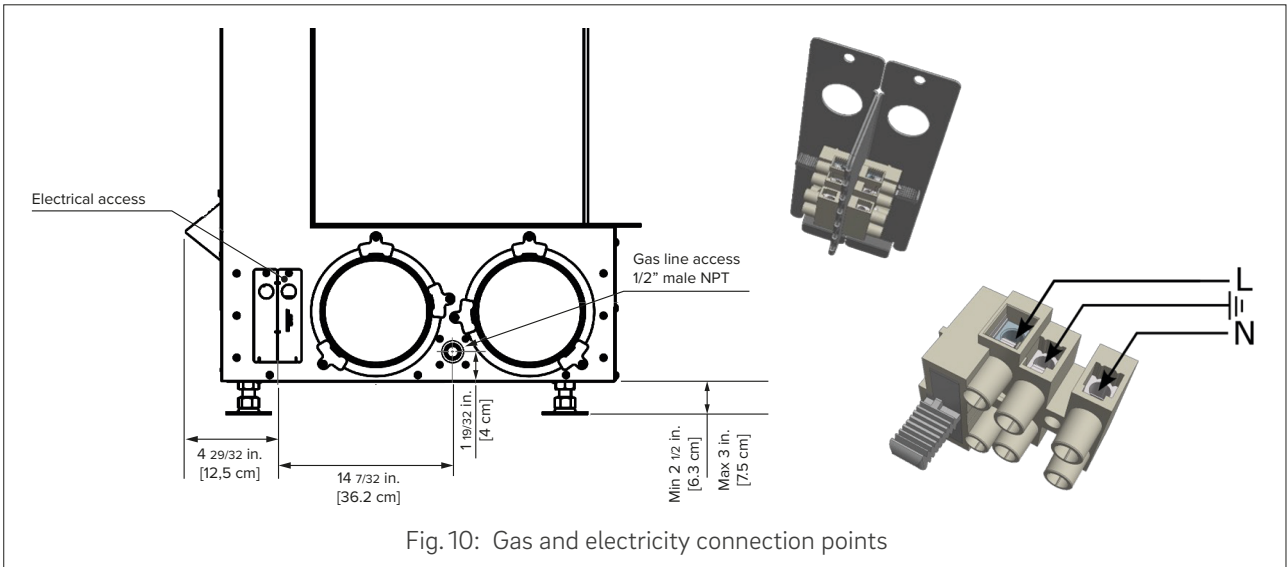


Fig. 10: Gas and electricity connection points

6.4 Wiring Requirements

The fireplace control unit requires 120V AC. Because changing batteries is very difficult and not changing them in time can lead to damage, we recommend connecting the device to 120V A.C.

Also any LED units are not battery supported.

The AC power supply to this appliance must be hot at all times and shall not have a switch installed in it.

REGULATIONS

Electrical Grounding

- This appliance, when installed, must be electrically grounded in accordance with local codes, or in the absence of local codes, with the National Electrical Code, ANSI/NFPA 70.

6.5 Gas supply

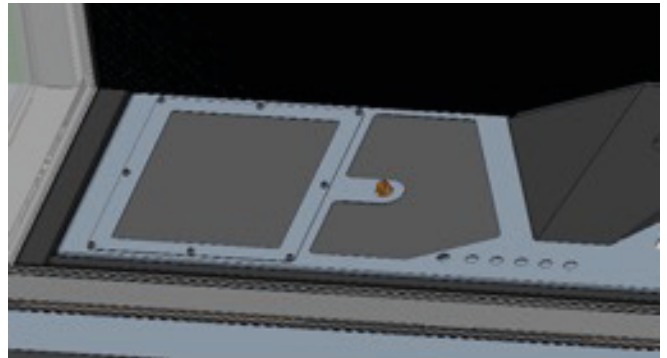
⚠ DANGER

Fire Lighting

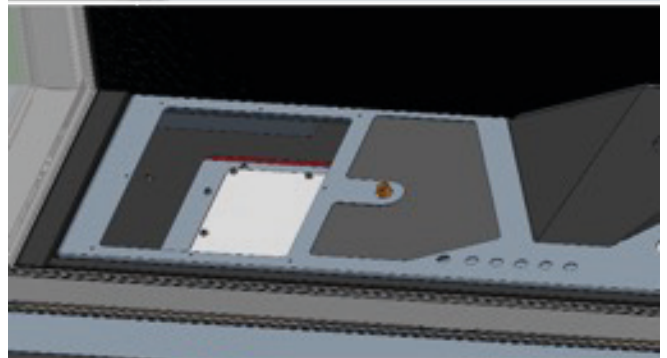
- Before you ignite the fire, first check for leaks. Never do this with an open flame (lighter) but with a gas detector intended for this purpose.

1. After you have connected the fire to the gas mains, the supply pressure can be checked. To do this, you must first remove the service hatch.

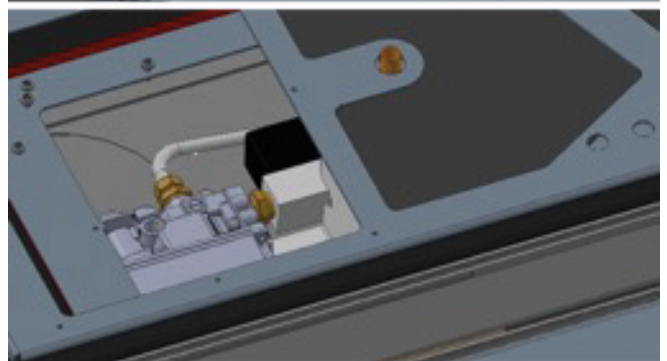
This hatch is located at the bottom left of the combustion chamber. To be able to remove this, you must first remove the quantity 8 self drilling screws (Torx AW20).



2. When you look down through the resulting hole you will see another service hatch, remove it in the same way.

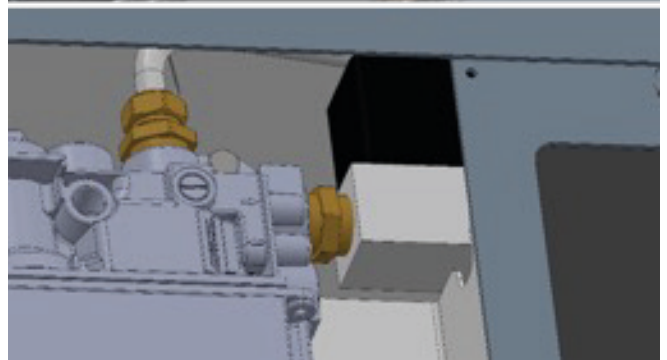


3. Carefully remove the gasket, exposing the gas valve.



4. Two arrows are indicated on top of the gas valve. One points in the direction of Mertik Maxitrol, the other points away from it. The arrow pointing to the letters Mertik Maxitrol indicates that the pressure measurement nipple is of the incoming pressure. The other is the burner pressure.

5. Now you can measure the inlet pressure with a pressure measuring instrument.



Close the nipple and test for leaks. Replace the gasket and reinstall both service hatches.

⚠ DANGER

Gas disconnection

- **The appliance and its appliance main gas valve must be disconnected from the gas supply piping system during any pressure testing of that system at test pressures in excess of ½ psi (3.5 kPa).**

The appliance must be isolated from the gas supply piping system by closing its equipment shut-off valve during any pressure testing of the gas supply piping system at test pressure equal to or less than ½ psi (3.5 kPa).

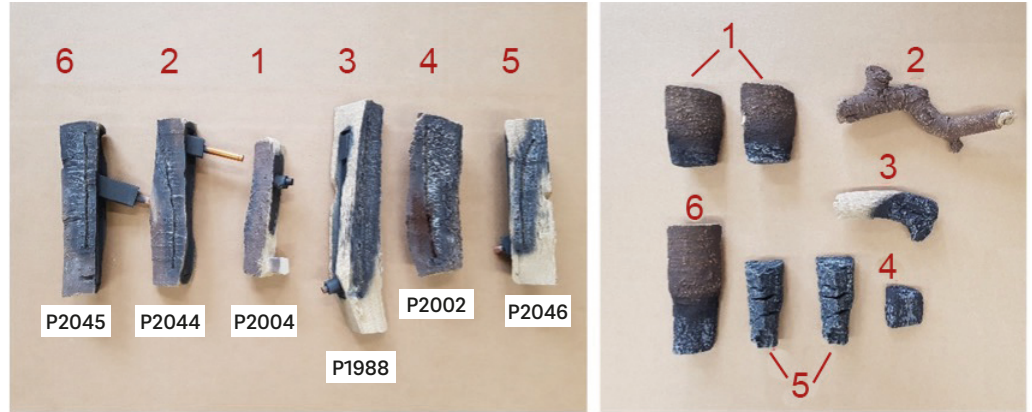


7. Placing the Burner Logs and Media Arrangement

7.1 Birch and Oak Log Kit

Material required:

- 6 burner logs
- Several non-burning deco logs
- 1 bag of yellow glass (8 cup bag)
- 5 bags of chips
- 2 bags of coals
- A small bag of gray powder for ash effect.

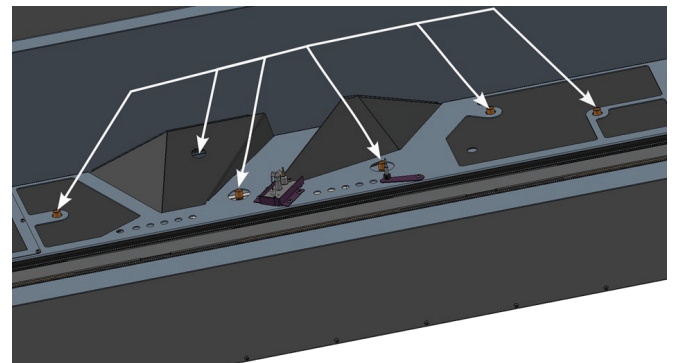


NOTE: Carefully unpack the kit, as the logs are fragile.



Installation

NOTE: Scan the QR code above for the complete log installation instructions in video.



1. Place the wood logs with the tubes over the primary tubes that pass through the combustion chamber floor of the combustion chamber.
2. Place **log L1** with the tube as shown in the picture below, make sure that the gas tube underneath the burner log fits smoothly over the tube in the appliance combustion chamber floor.

The log should be stable on the bottom of the combustion chamber and approximately 1 - 1 1/2 in. [2.5 - 3.8 cm] from the pilot burner.



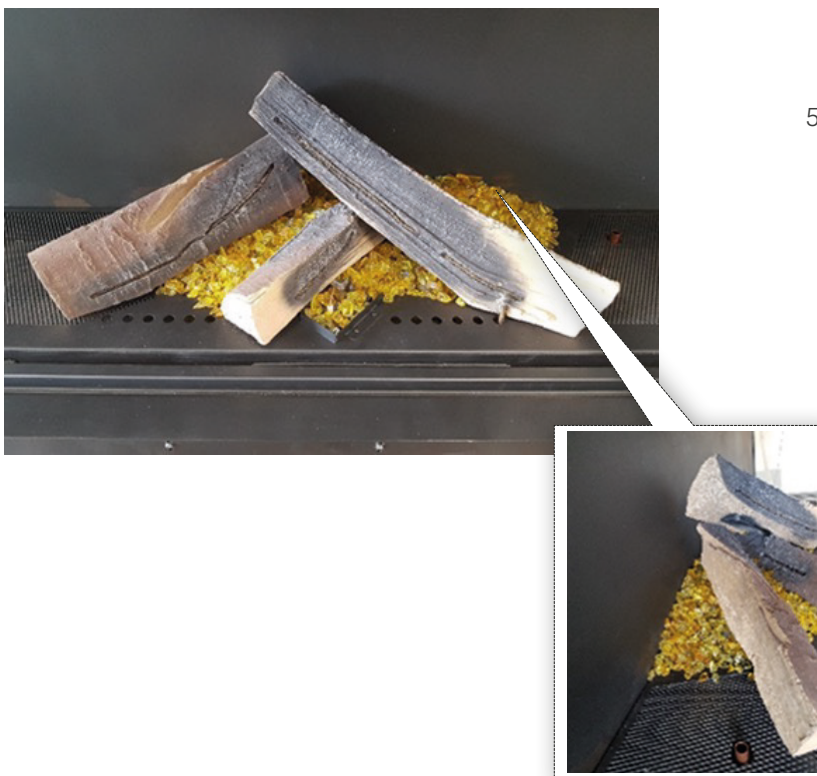
3. Place **log L2** on the combustion chamber floor at the left side of L1 as shown in the picture.

The positioning aid helps you place the block at the correct angle.



4. Place **log L3** on the combustion chamber floor near the end of L1, and onto the side of burner 1.

Assure the right positioning of the wood log relative to the thermocouple as shown in the picture. The second thermocouple is adjustable. Set this so that it is guaranteed to come into flame later on. The thermocouple can be adjusted with a Torx 20 screwdriver and an Allen key.



5. Put the yellow glass as shown on the combustion chamber floor of the appliance. Make sure you do not put too much outside of the area as it may come underneath the other wood logs.



6. Place **log L4** on the right end of L3 to rest on the combustion chamber floor as shown.



7. Place **log L5** on the primary tube and the right end bottom of L4 as shown.

A positioning aid is provided on the combustion chamber floor of the fireplace. Slide the log carefully against this positioning aid to get the log in the correct position.



8. Also carefully position **log L6** against the intended positioning aid.



9. Place the black deco chips on the fireroom base to create the coalbed effect.



10. Decorate it with the gray chips and imitation coals, making sure that the yellow glass is almost covered.



11. Place the non-burning logs 1 -6 on the bottom as shown



12. Complete by depositing the ash over the fireplace bottom decoration.

8. Framing

8.1 Framing Requirements

Fireplace chase may be framed with either combustible (typically wood studs) or non-combustible framing (typically metal studs). The framing of the fireplace chase must be designed to carry the entire weight of the wall and finish material. Surrounding material must not transfer weight to the fireplace or be connected in any way to the fireplace.

8.2 Chase Floor/Platform.

The fireplace must be installed on a flat, solid, surface. Surface can be wood, concrete, metal, and other typical solid floor types. Direct installation on combustible flooring such as carpeting, tile etc. is not allowed, the appliance shall be installed on a metal or wood panel extending the full depth and width of the appliance. Surface material is not required to be non-combustible.

The appliance has adjustable feet so that an accurate adjustment is possible independently of the support structure. The adjustment range is about 2 in. [5 cm] and can be adjusted by means of the M16 nuts with wrench size 24 mm. In case of a raised platform the platform must be able and stable to bear the full weight of the fireplace.

The platform can be constructed out of metal, concrete, wood or any solid construction material. This material is not required to be non-combustible. The platform shall be capable of carrying 660 pounds [300 kg].

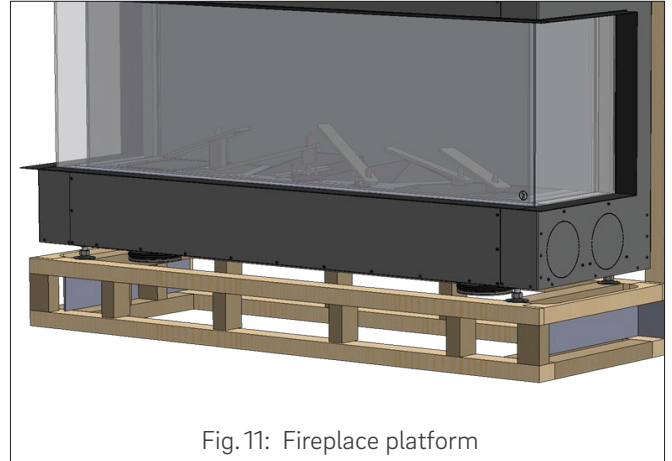


Fig. 11: Fireplace platform

NOTICE

Air supply

- The appliance can supply air for circulation either from the sides or from the bottom. If this is desired via the bottom, it must be taken into account in the construction of the pedestal.

8.3 General clearances.

8.3.1 Viewing area clearing zone.

The viewing area clearance zone is an area that extends perpendicular from the fireplace viewing area. The depth of the viewing area clearance zone depends on the combustibility of the material in question. Distance is measured from the fireplace heat barrier.

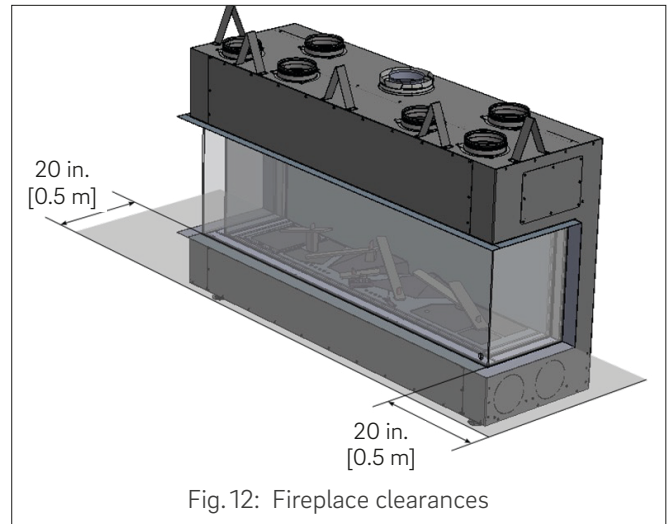


Fig. 12: Fireplace clearances

SAFETY

Glass pane maintenance

- When objects are placed in front of the glass of the fireplace, it must be taken into account that it must still be possible to remove these glass panes for maintenance.

SAFETY

Clearance to combustible materials

- The minimum distance to the viewing window of the fireplace for combustible materials is 20 in. [0.5 m]. Please note that objects absorb temperature due to heat radiation, this can affect the material properties such as color or flexibility.

8.4 Heat release.

A heat release is an opening in the fireplace chase that allows the heat inside the chase to passively circulate into an interior room. This heat is generated convectively as the fireplace heats up. It is separate from exhaust heat produced in the combustion chamber of the fireplace. For safety purposes, a heat release is required in order to keep the wall around the fireplace cool. Heat release requirements are the same for all 60 series models. Heat relief is combined with a heat convection system, both are important. The 60 series has 6 convection openings at the top of the fireplace.

These have different functions.

- Heating up the circulating air, so that you can heat the entire installation area wonderfully evenly.
- Cooling the electronic parts in the fireplace.
- Cooling the safety glass pane.

To ensure good heat circulation, it is necessary to install a minimum of 3 ft 4 in. [1 m] (vertical height) of rigid or flexible 6 in. [150 mm] tubing on all the 6 openings. In addition, the chase must also be ventilated to prevent a static build-up of heat .

In **Fig. 13** you can see how to make such a construction. Here we used the Camina & Schmid Inc. Airboxes, these are not prescribed but have advantages in finishing the chase.

A big advantage is that they discharge both the warm air from the convection cover of the fireplace (A) and the warm air that accumulates inside the chase (B) due to radiation from the flue and other warm parts.

Furthermore, it is also shown how a supply of cool circulating air can be made, here are also accessories available that can be connected directly to the connection collars, but supply via an alternative construction (as shown) is also possible. The following minimum opening surfaces must be respected for the supply and discharge of warm air.

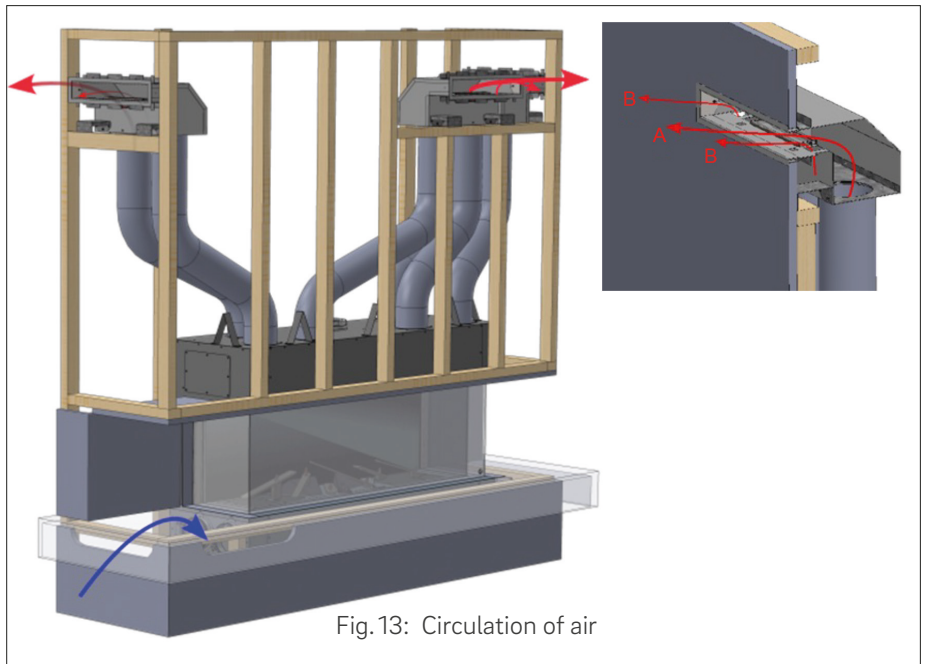


Fig. 13: Circulation of air

Table 6: Convection air

	Effective min. inlet surface	Effective min. Outlet Surface with Cavity vent
Lina G 60-19	160 in ² [0.10 m ²]	240 in ² [0.15 m ²]
Ekko G U 60/14-19	160 in ² [0.10 m ²]	240 in ² [0.15 m ²]
Ekko G L 60/14-19	160 in ² [0.10 m ²]	240 in ² [0.15 m ²]
Ekko G R 60/14-19	160 in ² [0.10 m ²]	240 in ² [0.15 m ²]

NOTICE

Plenum Kit

- **If using a plenum kit, effective minimum inlet and outlet surfaces shall equal 240 in² [0.15 m²].**
- **When installing on the floor, make sure to raise the feet for maximum clearance underneath (See Fig. 3).**

8.5 Calculating Convection Air Outlet Opening.

As the openings come in all kinds of shapes and dimensions, we recommend that the area of the opening always be multiplied by a factor of 1.5 → We need to calculate with **160 in² [0.10 m²] x 1.5 which makes 240 in² [0.15 m²]** outlet opening. This also corrects for different types of ceilings with different surfaces. This means for a three-sided opening to the ceiling, the height should be:

$$240 \text{ in.} / (70 \text{ in.} + (2 \times 26 \text{ in.})) = 1.96 \text{ in. let's assume } 2 \text{ in. [5 cm]}$$

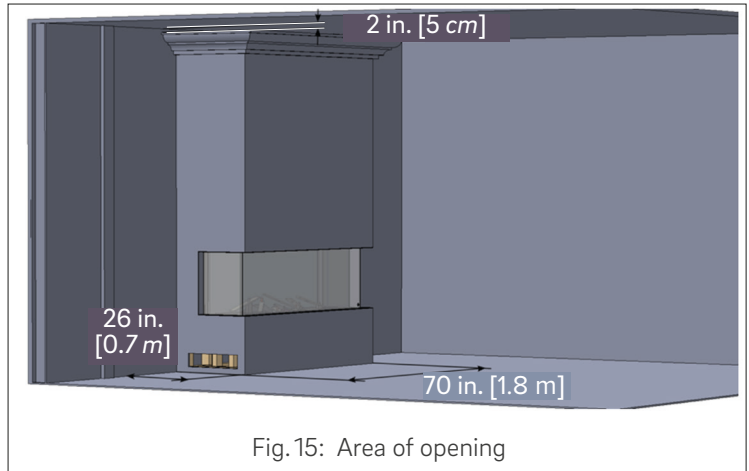


Fig.15: Area of opening

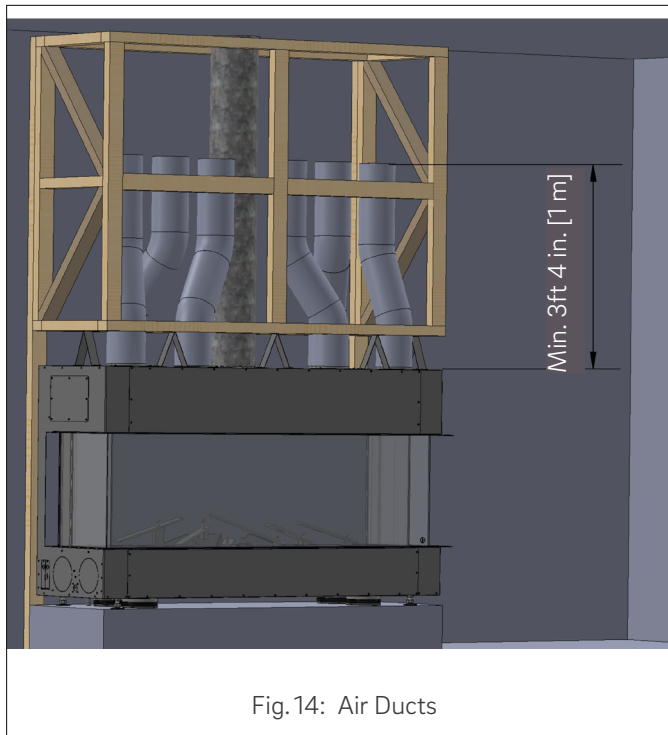


Fig.14: Air Ducts

To ensure that the air supplied for convection does not pass by the fireplace, it is important to provide the connection collars with air ducts, even when no connected air vents are used. These should be at least 3 ft 4 in. [1 m] high. This creates a pressure difference due to the generated heat, which creates an airflow through the fireplace unit. This airflow cools the glass panes and electronics and heats the room in which the fireplace is located.

8.6 Sprinkler Clearance to Heat Release

In a situation where a sprinkler head is near the heat release, the sprinkler head must be located at least 36 in. [0.9 m] from every point of the heat release opening.

8.7 Air Intake Opening

NOTE : Take care not to reduce the amount of air intake area by the way the appliance is being built in.

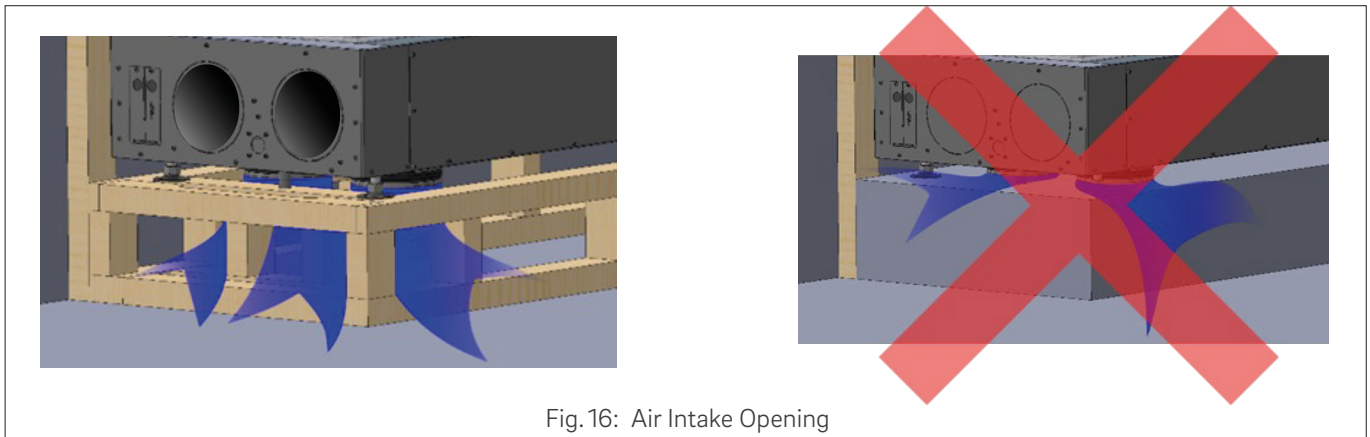


Fig.16: Air Intake Opening

When the appliance is directly built on the floor and no side inlet is being used, the minimum height of the appliance bottom to the floor has to be adjusted to a minimum of 2 ½ in. [6.5 cm] to allow a reasonable flow of convection air.

The air intake opening can be finished in the form of a louvered ventilation grille, gap, or toe-kick (reveal). For louvered ventilation grilles, the net free air space allowed in the louvered area must be equal or greater than the minimum number of square inches or square meters required per fireplace. See **Table 6 on page 32**.

It is possible to open the air supply on the sides or in the bottom of the fireplace. Depending on the design, you have a free choice. However, you must ensure that the supplied air can flow in without resistance.

NOTICE	Clean air intake
<ul style="list-style-type: none"> • Provide a clean space under the fireplace and remove sawdust and other contamination, as these can be carried along in the airflow and cause unhealthy air and discoloration of walls and ceilings. • This also applies to candles, as the (invisible) smoke from candles can pollute the air, when this air is subsequently heated by the fireplace and this can lead to discoloration of walls or ceilings. 	

8.8 Heat Transfer to Rooms other than the Room where the Fireplace is Installed.

By using air vents and flexible pipes it is possible to transport warm air to other rooms. It is important to ensure that air can also flow back from these rooms to the fireplace. There must always be circulation. The ratio in which the air is distributed over the different rooms depends on the resistance and the distribution of the number of ventilation openings in the system.

8.9 Recessed TV/Artwork.

When the TV is mounted on a wall that recesses over fireplace, the TV must be at least 19 in. [50 cm] from the top of the fireplace glass viewing area. At 19 in. [50 cm] above the fireplace viewing area, maximum possible recess is 4 in. [10 cm]. A deeper recess will interfere with required clearances to venting.

Televisions or works of art that are hung from the chase and are not placed recessed, will be affected by the warm air flow that arises in front of the chase. With proper installation of the fireplace and warm air system, the airflow for the chase will be approximately 18 °F [8°C] above the ambient temperature.

When you install the television against the chase or recessed, ensure that cooling air can flow behind the television (see your television installation manual), when no indications are given use a minimum of 1 ½ in. [4 cm] distance from the chase surface. In case of recessed installation ensure that there is enough free space around the television so that cooling air can flow freely.

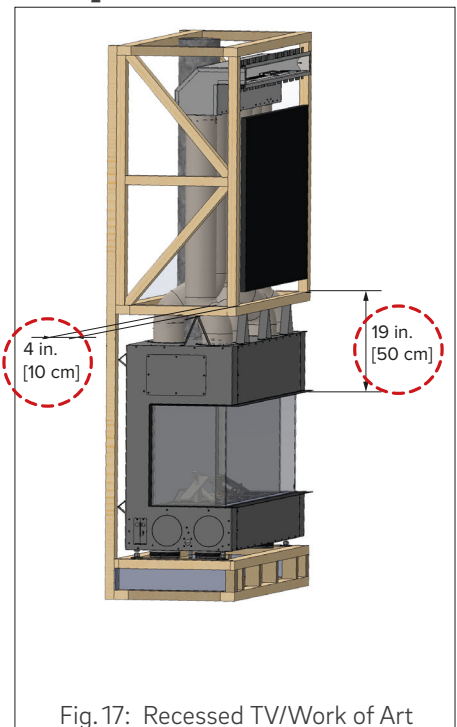
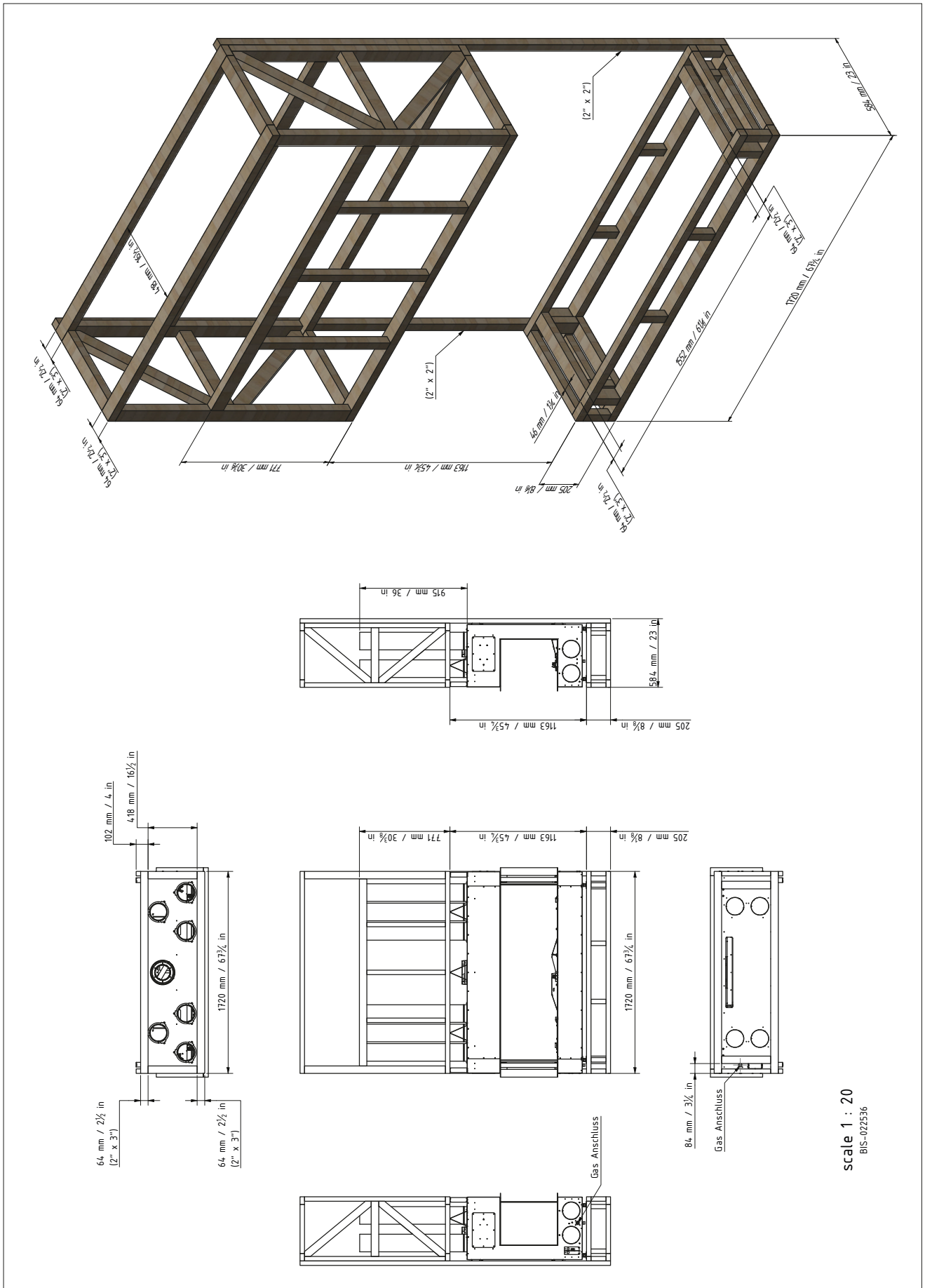


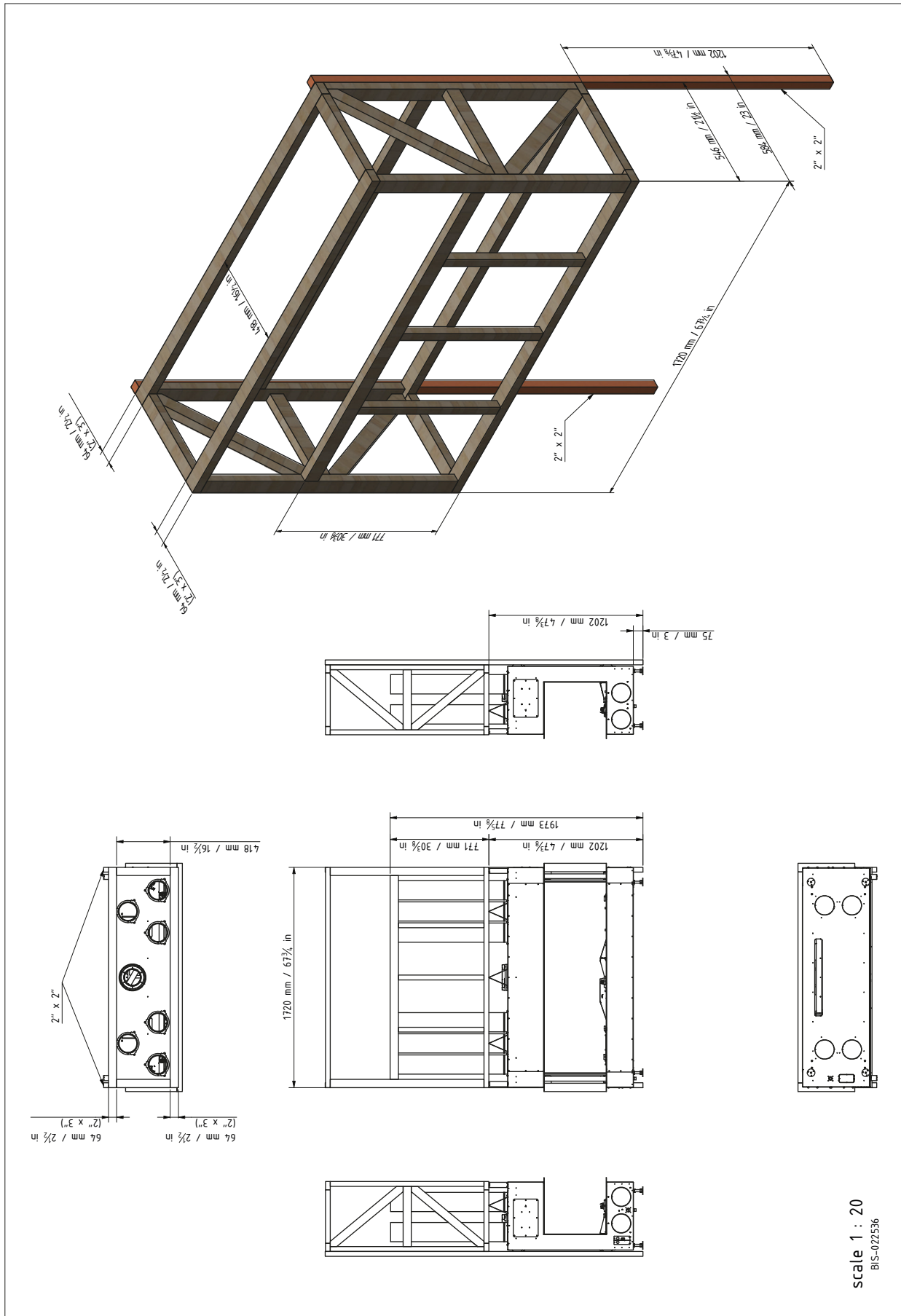
Fig. 17: Recessed TV/Work of Art

8.10 Framing and covering

There are no special requirements for building the chase frames and cladding these frames, given the temperatures of the built-in unit. However, one should think about quality and stability. For this reason we have adapted our documentation to 5/8 in. [1.6 cm] Drywall (or Sheetrock), ½ in. [1.3 cm] drywall is also allowed, but of course passes the temperatures faster. Cracking at seams can occur and are mainly caused by differences in expansion of the materials used, or low mechanical strength of the construction.

Because gypsum is a water-based mass, we recommend using Type x because this type of dry wall contains a higher proportion of glass or ceramic fiber material, which prevents the material from disintegrating at temperature due to drying out.





In **Fig. 18** you see the EKKO G U built in a wooden frame of 2x3 in. [2x7.5 cm] wooden slats. Note the support of the Airboxes, these have a considerable weight. The open structure of the load-bearing construction is also clearly visible, to ensure that the convection air can easily flow in. The connection stub for the gas installation is also located here.

All the outlets for convection air are used here and connected to the fireplace with Aluminum flex ducts. This is recommended, but if sufficient flow can be guaranteed, the outer two connections can be closed.

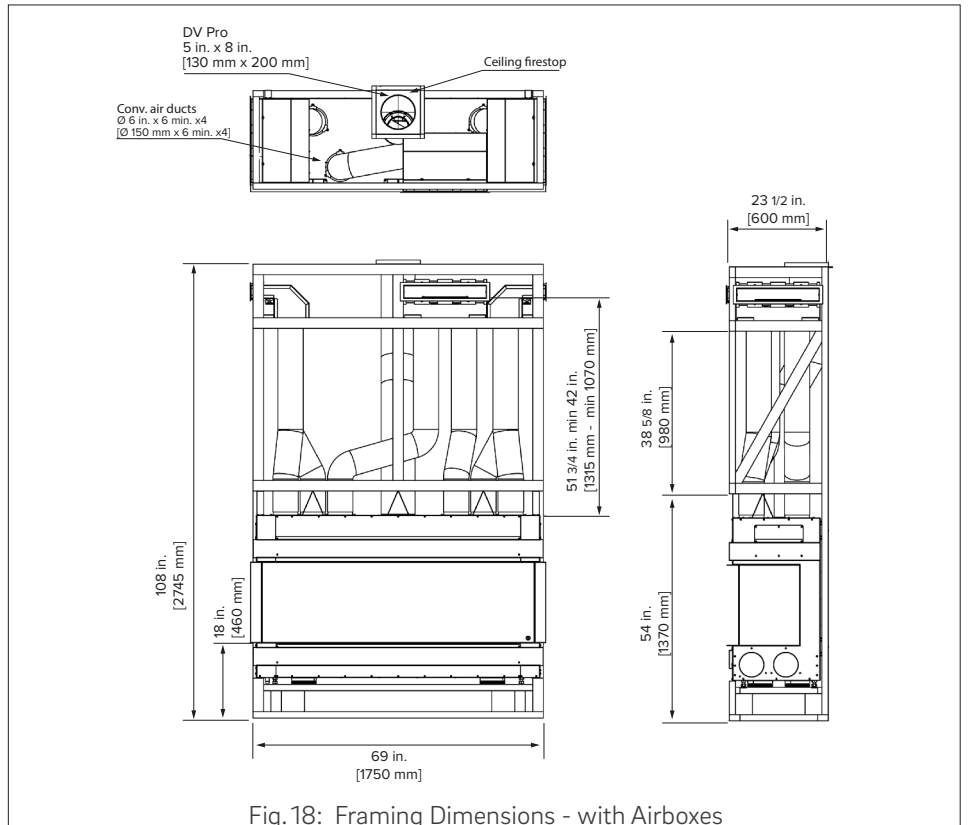


Fig. 18: Framing Dimensions - with Airboxes

The sizing is based on 5/8 in. [1.6 cm] thickness of the cladding material

It is, of course, also possible to work without the airboxes, and in **Fig. 19** is a construction with a recessed ceiling piece. Here it is important to use a Ceiling Firestop when passing through combustible material. Furthermore, the recessed ceiling part must also have its own ceiling, this is to prevent static heat build-up in cavities in the fireplace cover

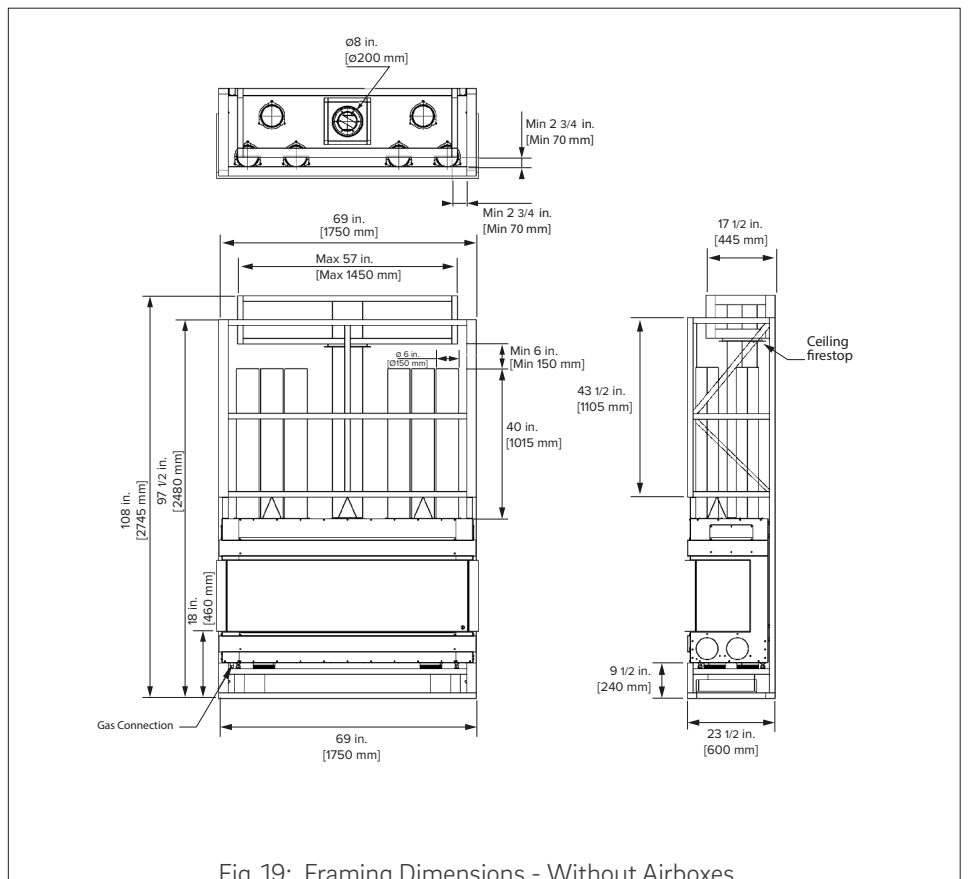
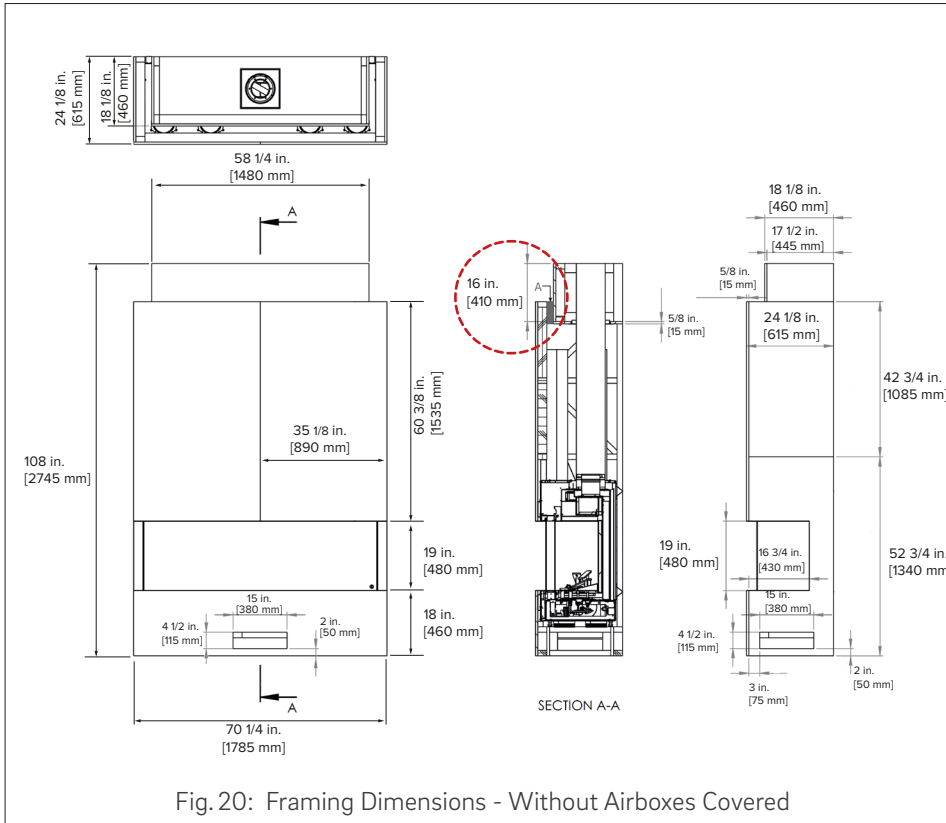


Fig. 19: Framing Dimensions - Without Airboxes



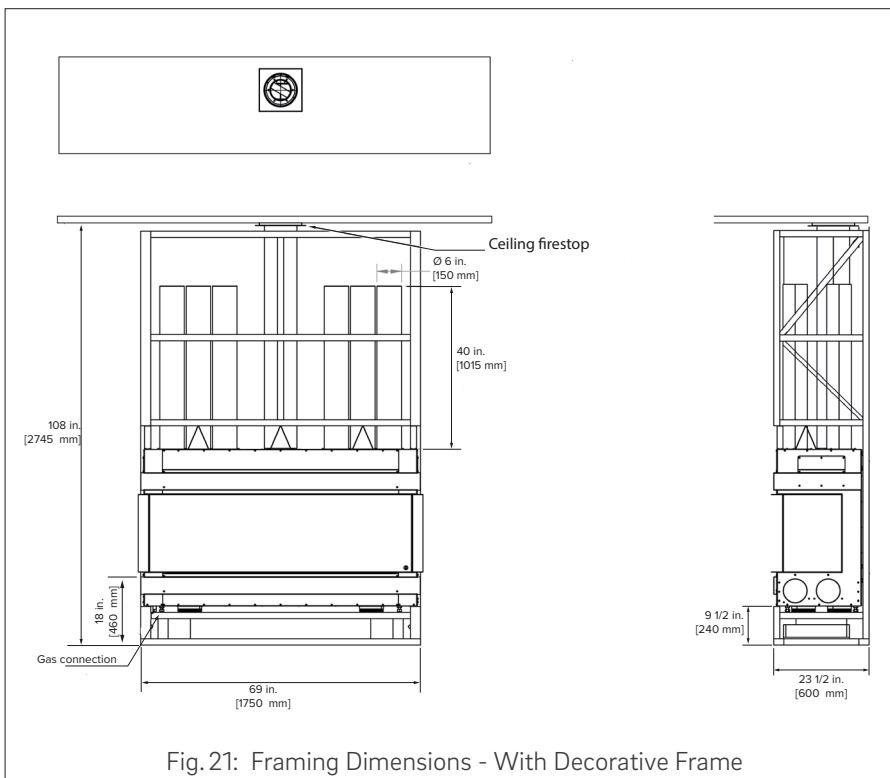
The red circled area is the passage of warm air. This must have a surface in accordance with the calculation on **page 33** (for the 60 series this is 160 in² [1,033 cm²], 240 in² [1,548 cm²] including the standard safety factor).

This means:

$$240 \text{ in.} / (2 \times 18 \frac{1}{8} \text{ in.} + 58 \frac{1}{4} \text{ in.}) = 2 \frac{17}{32} \text{ in.} - \text{that makes } 2 \frac{3}{4} \text{ in.} [7 \text{ cm}]$$

This must be the minimum width of the flow-opening over the entire length

If we want to use a decorative frame on the top of the fireplace cladding, it is possible to let the warm air above this decoration escape. To ensure that the ceiling and the chase do not get hot, we must also observe a minimum air gap here. The calculation is explained in detail on **page 33**. In the example in **Fig. 21** we have assumed 2½ in. [6.5 cm].



In order not to give the outgoing air too much resistance, length and depth of the airgap are compensated with the simple safety factor. This is also on **page 33**. This means:

$$240 \text{ in.} / (2 \times 20 \frac{1}{2} \text{ in.} + 63 \frac{1}{2} \text{ in.}) = 2 \frac{19}{32} \text{ in.} \text{ That makes } 2 \frac{3}{4} \text{ in.} [7 \text{ cm}]$$

This must be the minimum width of the flow-opening over the entire length.

Please note that candles, contamination in the fireplace cavity, plasticizers from paint and dust can be transported in the warm air stream. This can pollute ceilings and walls. When the speed of the air is as low as possible and the temperature as low as possible, you will have the least trouble with this.

Therefore, always provide more of the prescribed circulation air, as this significantly reduces the risk. It is of course best to ensure that this pollution such as smoke from candles does not occur in the room.

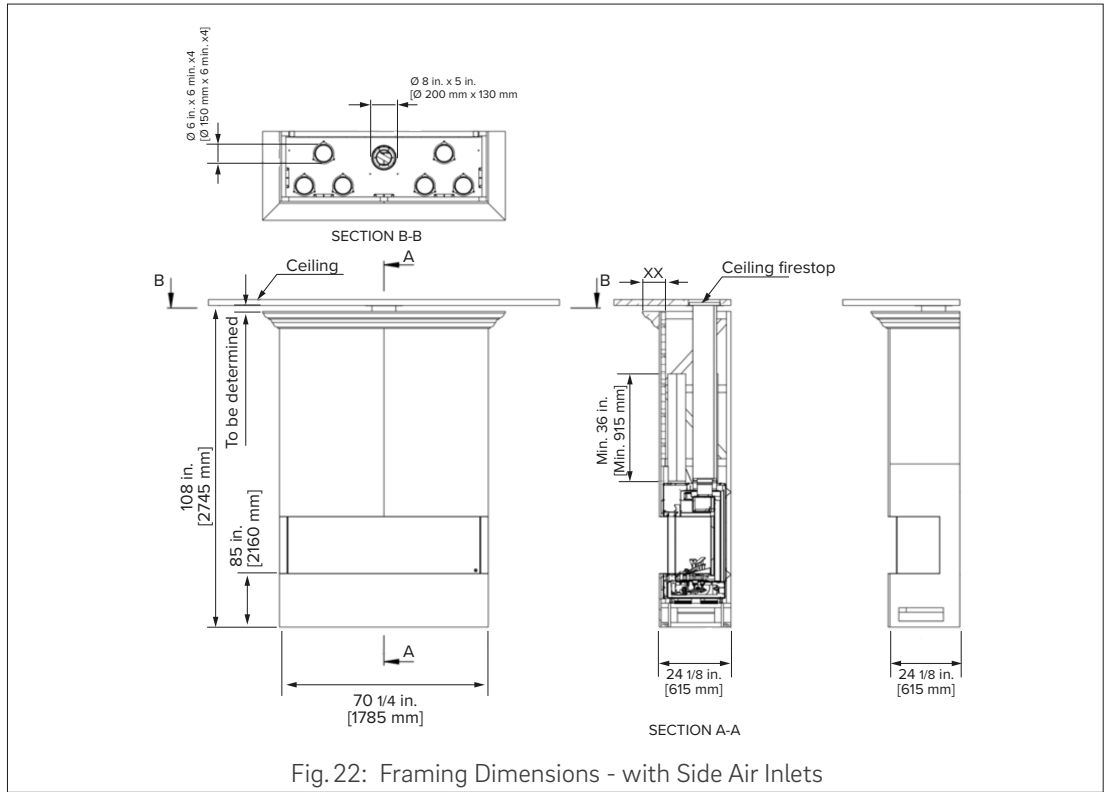


Fig. 22: Framing Dimensions - with Side Air Inlets

There are several variations possible with such a product. The example in Fig. 23 has no side air inlets but here the air for convection enters through the substructure (natural stone).

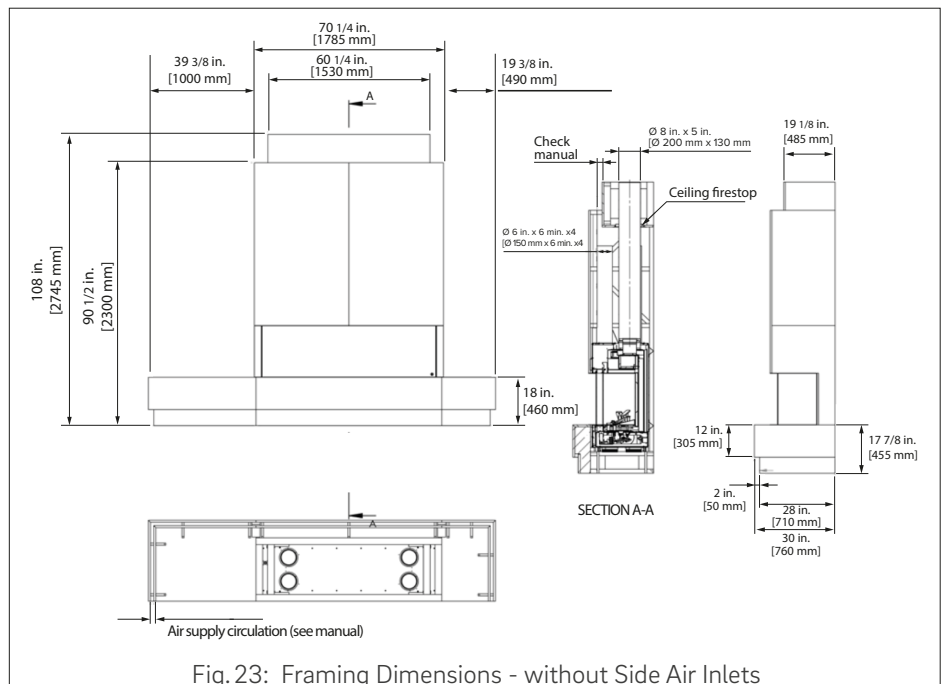


Fig. 23: Framing Dimensions - without Side Air Inlets

It is not often done in the corner with a 3-sided model of this size, but it is possible, as shown in **Fig. 24**. It is important to leave some space for disassembling the glass panes on the sides. Furthermore, the walls adjacent to the sides of the fireplace will heat up due to the radiant heat. The infrared reflective inner glass will reduce this to a minimum, but some temperature increase can be felt here. Sensitive objects like art and candles, etc. are better placed elsewhere.

In the example shown, a distance of 27¼ in. [0.7 m] is maintained from the wall to the fireplace.

NOTICE

Min. Distance from wall

- **The minimum distance from the wall to the glass for safety reasons is: 20 in. [0.5 m].**

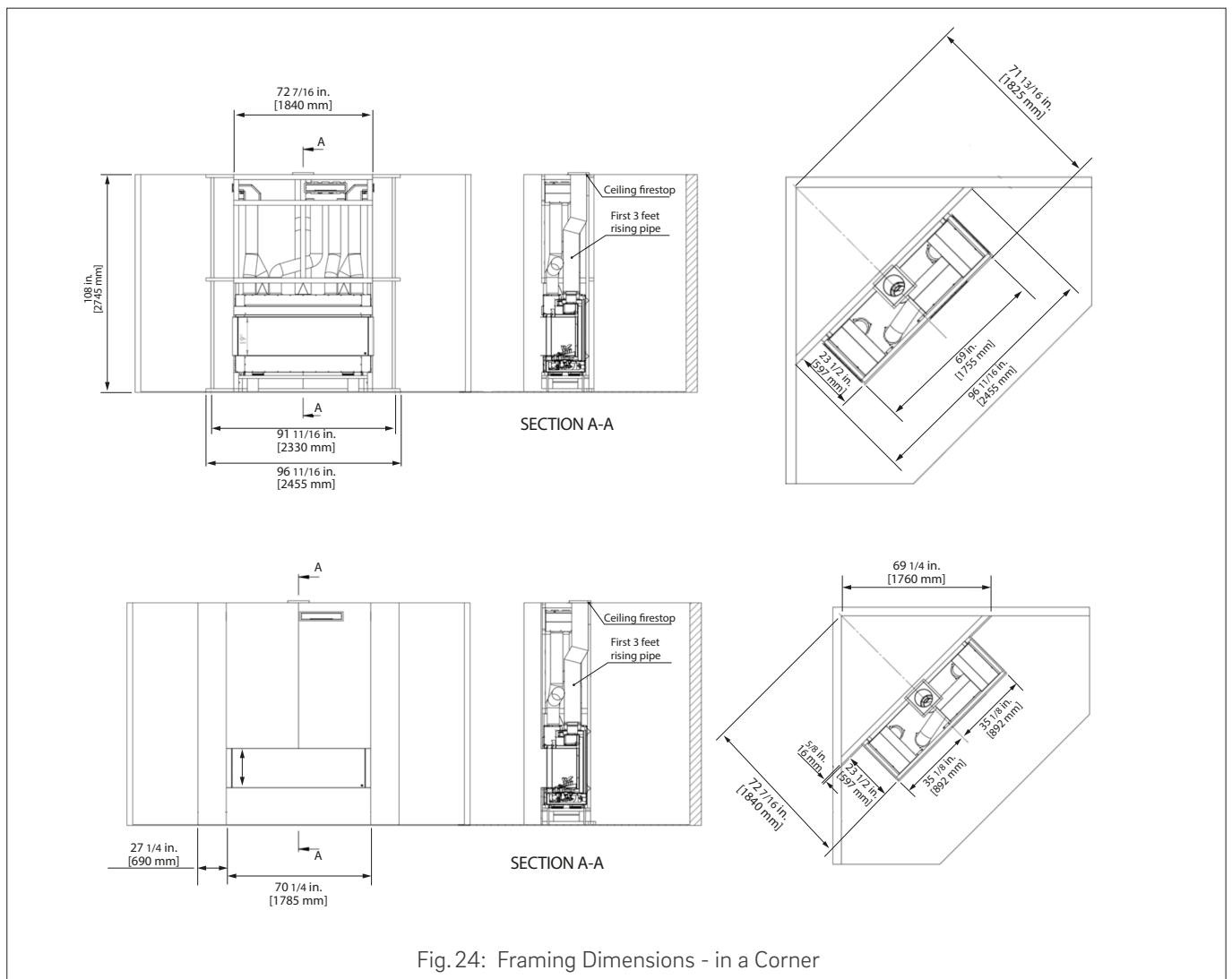


Fig. 24: Framing Dimensions - in a Corner

9. Appendix 1 - Lighting Instructions

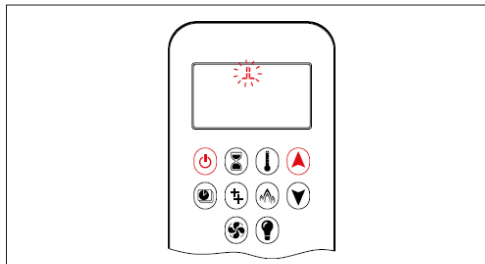
FOR YOUR SAFETY READ BEFORE LIGHTING

WARNING: If you do not follow these instructions exactly, a fire or explosion may result, causing property damage, personal injury, or loss of life.

- A. This appliance is equipped with an ignition device that automatically lights the pilot. Do not try to light the pilot by hand.
- B. **BEFORE OPERATING**, smell around the appliance area for gas. Be sure to smell next to the floor because some gas is heavier than air and will settle on the floor.
- WHAT TO DO IF YOU SMELL GAS**
- Do not try to light any appliance;
 - Do not touch any electric switch;
 - Do not use any phone in your building;
 - immediately call your gas supplier from a neighbor's phone;
 - Follow the gas supplier's instructions;
 - If you cannot reach your gas supplier, call the fire Department.
- C. **DO NOT** use this appliance if any part has been under water. Immediately call a qualified service technician to inspect the appliance and to replace any part of the control system and any gas control that has been under water.

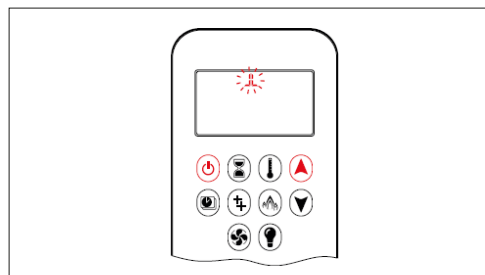
OPERATING INSTRUCTIONS


1. **STOP!** Read the safety information above.
2. **IGNITION:** Press the On/Off button on the remote control; the reception of the signal is confirmed by a beep. The ignition procedure has started.
3. If the appliance does not light, wait 5 minutes to allow any gas that may have accumulated in the firebox to escape. If you then smell gas, be sure to smell next to the floor because some gas is heavier than air and will settle on the floor. **STOP.** If you do **NOT** smell any gas, continue to light the fireplace: press the On/Off button to light the fireplace.
4. If the appliance will not operate, follow the instructions, "To Turn Off Gas to Appliance" below and call your service technician or gas supplier.



NOTE : When the fireplace is lit, condensation may appear on the glass. This is normal and will disappear after several minutes.

SHUT DOWN



1. **SHUT DOWN** - Press the On/Off button on the remote control. The reception of the signal is confirmed by a beep. The fireplace will switch off.
2. **TO TURN OFF GAS TO APPLIANCE** - if gas control is accessible turn main valve knob to the OFF full clockwise  position.

NOTE : Pressing the Down button will switch off the main burner but will maintain the pilot burner, relighting the fireplace by pressing the Up button.

Camina & Schmid Inc.
80 Pine street 24th Floor
10005 New York (NY)

10. Appendix 2 - Wall Switch

A wall switch kit is available. It can be ordered separately as a kit with a 10-foot cable.

- The wall switch can take over the following functions.
 - switching the fire on and off.
 - directing the flames high and low.
 - switching the 2nd burner group off and on.
- What the wall switch cannot do is:
 - control the LED functions.
 - thermostatic control.

The fireplace control responds to the switch and the remote control when the wall switch is connected. The App control also remains in function.

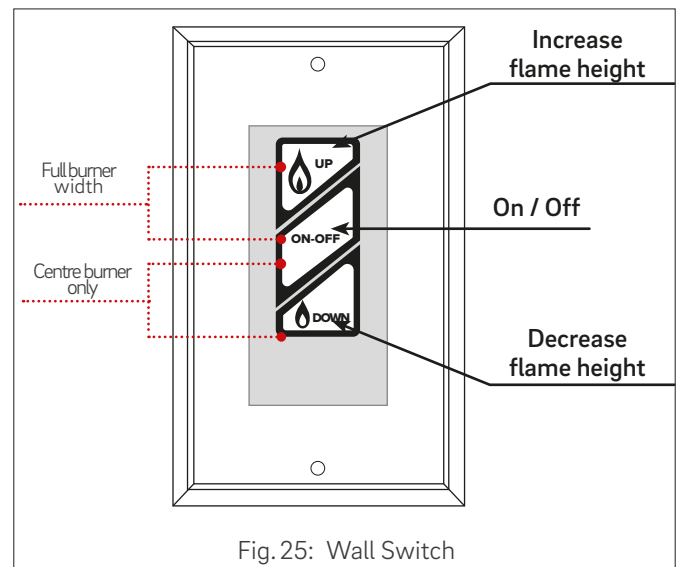


Fig. 25: Wall Switch

WARNING

Usage

- **The wall switch must be protected from rain and moisture.**

10.1 Operating the Switch

10.1.1 To Turn ON Appliance:

Press **ON-OFF** button until two short beeps (CE, AGA version) or continuous beeping (CSA version) confirm the start sequence has begun; release button.



Once pilot ignition is confirmed, there is main gas flow.

NOTICE


Gas Supply

- **If the pilot does not stay lit after several tries, turn the main valve knob to OFF and follow the instructions "TO TURN OFF GAS TO APPLIANCE" (see page 41).**

10.1.2 Flame Height Adjustment

- Press and hold  button to increase flame height.
- Press and hold  button to decrease flame height or to set appliance at pilot flame.

10.1.3 Standby Mode (Pilot Flame)

Press and hold  button to set appliance at pilot flame.

10.1.4 To Turn OFF Appliance

Press **ON-OFF** button.

NOTICE

Appliance does not Operate

- **If the appliance will not operate follow the instructions "TO TURN OFF GAS TO APPLIANCE" (see page 41).**

10.1.5 To Open and Close Solenoid Valve / Burner

Simultaneously press the ON-OFF and  buttons To Switch the Decorative Burner OFF.

Simultaneously press ON-OFF and  buttons to switch decorative burner ON.

11. Appendix 3 - Wiring diagram

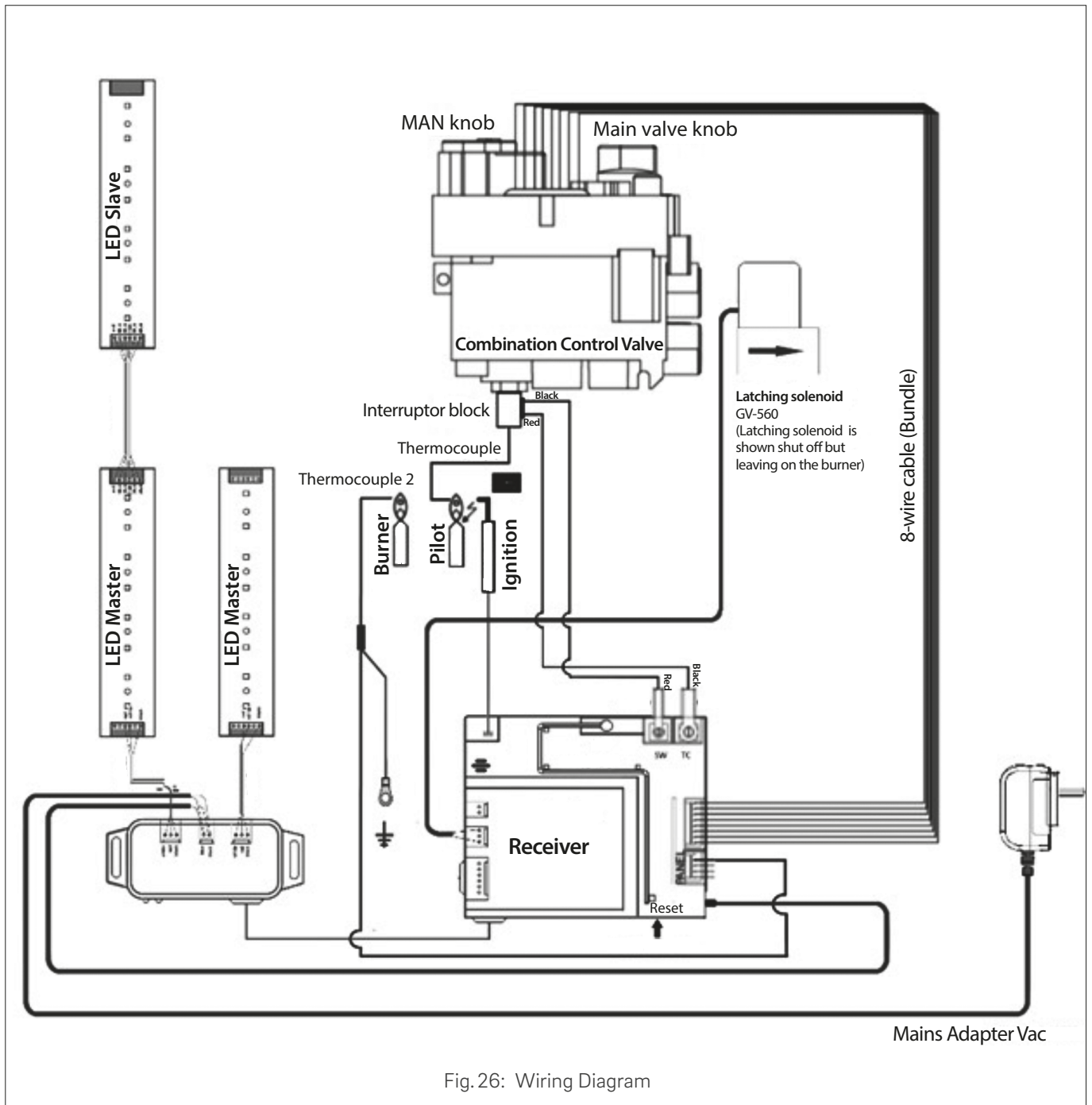


Fig. 26: Wiring Diagram

NOTICE

Wiring Replacement

- If any of the original wire as supplied with the appliance must be replaced, it must be replaced with the original spare part as supplied by Camina & Schmid Inc.

12. Appendix 4 - Warranty

Camina & Schmid Inc. Limited Lifetime Product Warranty

If the initial consumer purchaser has a problem with this unit, please immediately contact your Camina & Schmid Inc. dealer or supplier. Under no circumstances should the purchaser or anyone other than a technically certified Camina & Schmid Inc. dealer or distributor attempt to service the unit in any way.

The warranties in clauses 1 and 2 are provided only to the initial purchaser of this unit, are not transferable, and are subject to the conditions and limitations in clauses 3, 4 and 5. Please review the conditions and limitations carefully, and strictly follow their requirements.

12.1 The Warranty

Camina & Schmid Inc.'s ("the Company") Limited Lifetime Product Warranty warrants your Camina & Schmid Inc. gas fireplace ("the Product") to be free from defects in materials, workmanship and/or functionality at the time of manufacture. After installation, if covered components manufactured or assembled by Camina & Schmid Inc. are found to be defective in materials and/or functionality during the Limited Lifetime Product Warranty period, and while the Product remains at the site of the original installation and in the ownership of the original consumer purchaser, Camina & Schmid Inc. or its appointed dealer or distributor will, at its discretion, repair or replace the covered components. If repair or replacement is not commercially practical, Camina & Schmid Inc. will, at its discretion, refund the verified dealer the purchase price of the product to that dealer. Camina & Schmid Inc. also will pay its dealer to repair or replace such components, for a period of two years after installation.

12.2 Warranty Coverage

Table 7: Maximum Warranty Period

Part/component coverage	Defects covered	Conditional Coverage
Firebox	Corrosion and defects in material (but not discoloration). Only when the product is installed correctly and indoors.	For the life of the product in the original installed location with the original purchaser.
Heat-resistant glass	Loss of structural integrity Thermal Breakage Only	2-Year Limited Warranty
Tempered glass	Shipment Damage Only	
Gas & Electrical Components	Functional defects: Normal conditions of use	2-Year Limited Warranty
Remote control	Functional defects: Drop damage, water damage, and other mechanical damage excluded	1-Year Limited Warranty
Paint	Adhesion to metal surface	1-Year Limited Warranty
Trim pieces	Trim pieces	
Log burners	Breakage, cracks, disintegrate	2-Year Limited Warranty

12.3 Warranty period two-year on parts from the date of the original purchase by the consumer.

In addition, for two (2) years from the date of original consumer purchase, the Company, at its option, will repair or exchange parts and components not listed above but that are found to have a bona fide defect in materials and/or functionality under normal conditions of use.

12.4 Conditions and Limitations

- a) The warranty registration card must be completed by the initial consumer purchaser and returned to the Company within 90 days of the original installation of the product.
- b) Installation and annual maintenance must be performed by a Company authorized, licensed, and qualified distributor or dealer in accordance with the Company's installation instructions.
- c) This warranty is void if the installation of the unit does not conform to all applicable codes including national and local gas appliance installation codes, local building and fire codes, and in accordance with the Company's installation instructions.
- d) The owner must comply with all operating instructions.
- e) This warranty applies to non-commercial use and service and is void if it is apparent that there has been abuse, misuse, alteration, improper installation, accident or lack of maintenance to the unit.
- f) The warranty does not cover damage to the unit due to:
 - 1. Improper installation, operational or environmental conditions.
 - 2. Inadequate ventilation in the area or competition for air from other household equipment or appliances.
 - 3. Chemicals, dampness, condensation, or sulphur in the fuel supply lines which exceeds industry standards.
 - 4. Unauthorized alterations to the product.

The Company does not allow anyone to extend, alter or modify this warranty and assumes no responsibility for direct, indirect or consequential damages caused by the unit. State or provincial laws where the initial user resides may provide specific rights extending this warranty and, if so, the Company's sole obligation under this warranty is to provide labor and/or materials in accordance with those laws.

12.5 No Other Warranty

All obligations to repair this unit are defined in this warranty. Some states or provinces may specifically mandate additional obligations on the part of manufacturers, but in the absence of specific legislation, there is no other warranty or obligation expressed or implied within.

12.6 Investigation of Claims against Warranty

Camina & Schmid Inc. reserves the right to investigate all claims against this Limited Lifetime Product Warranty and to decide, in its sole discretion, upon the method of settlement. To receive the benefits and advantages described in this Limited Lifetime Product Warranty, the appliance must be installed and repaired by an installation technician authorized by Camina & Schmid Inc. Contact Camina & Schmid Inc. (www.camina-schmid.com) to obtain a listing of approved dealers/distributors and certified/authorized installer companies. Company shall in no event be responsible for any warranty or service work done by anyone who is not approved by Camina & Schmid Inc.

12.7 How to Register a Warranty Claim

For any claim under this warranty to be valid, the original purchaser must contact the Camina & Schmid Inc. dealer/distributor from whom you purchased the product. If you cannot locate the dealer/distributor, then the purchaser must notify Camina & Schmid Inc. in writing. Submission of a completed warranty claim form is the preferred method of warranty claim notification. Camina & Schmid Inc. must be notified of the claimed defect in writing within 90 days of the date of failure.

13. Appendix 5 - Operation

13.1 Symax handset

Technical data:

Ambient temperature range:32 °F to 131 °F [0 °C to 55 °C]
 Radio frequency: 918.0 MHz
 Power supply: 2 x 1.5 V "AAA" (quality alkaline recommended).

NOTICE	Wiring of Control and Receiver
<ul style="list-style-type: none"> • Wiring of control and receiver must be completed before starting ignition. Failure to do so could damage the electronics 	


NOTICE	Removal of Batteries
<ul style="list-style-type: none"> • To avoid damaging the electronics, do NOT use metal tools to remove the batteries from the handset 	

⚠ WARNING	Batteries
<ul style="list-style-type: none"> • Without using a mains adapter, battery replacement is recommended at the beginning of each heating season. • Old or dead batteries should be removed immediately. If left in the unit the batteries can overheat, leak, and / or explode. • Do NOT expose batteries (including during storage) to direct sunlight, excessive heat, fire, moisture, or severe impact. Each of these conditions can cause the batteries to overheat, leak, and / or explode. • Batteries must be kept within their recommended temperature limits (ambient battery temperature range: 32 °F to 131 °F [0 °C to 55 °C]). • New and old batteries and different brands of batteries should not be used together. Mixing of various batteries can cause the batteries to overheat, leak, and / or explode. 	

13.2 Synchronization of receiver/handset

(First time only)

1. Insert batteries or connect AC mains power to the receiver. The V Module for circulating fan and light / dimmer includes a mains adapter. With mains adapter, batteries can be used for backup.
2. Place ON / OFF switch (if equipped) to ON position.
3. The receiver has to learn the Symax code:

Press and hold the receiver's reset button (see Wiring diagram on **page 43** for location) until you hear two (2) beeps. After the second, longer beep, release the reset button. Within the subsequent 20 seconds press the  button on the Symax. "CONN" and a running number from 1 to 8 are displayed on the Symax confirming the synchronization and data exchange is in process. Two (2) short beeps confirm the code is set.

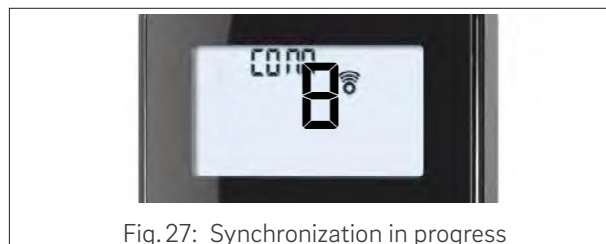


Fig. 27: Synchronization in progress

After successful synchronization the current state of the gas fire is displayed on the Symax.

13.3 General notes

Batteries – Handset

Low battery indicator on Symax.

13.4 Function Activation / Deactivation

Deactivate Functions:

1. Install batteries. All icons are displayed and flashing.
2. While the icons are flashing, press the relevant function button and hold for 10 sec.
3. The function icon will flash until deactivation is complete. Deactivation is complete when the function icon and two horizontal bars are displayed.

NOTICE

Activation/Deactivation

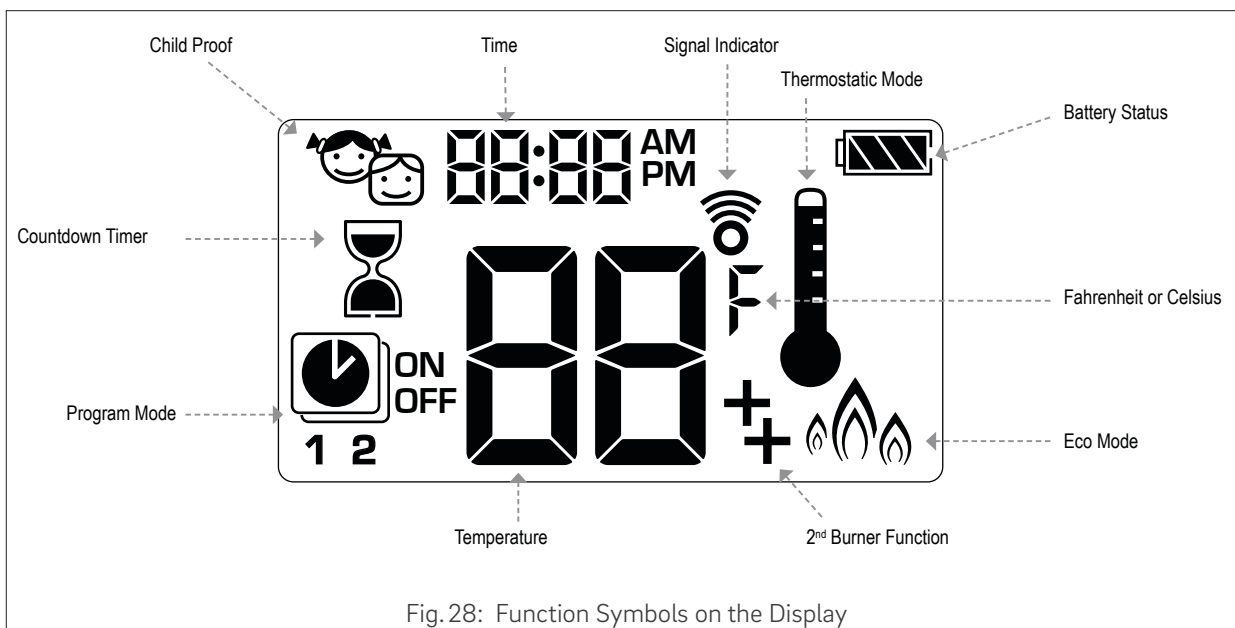
- If a deactivated button is pressed, there is no function, and two horizontal bars are displayed.
- Deactivation remains in effect after change of batteries

Activate Functions:

1. Install batteries. All icons are displayed and flashing.
2. To activate a function, press the relevant button and hold for 10 sec.
3. The function icon will continue to flash until activation is complete. Activation is complete when the function icon is displayed.

The following Functions can be Deactivated / Activated:

- CHILD PROOF
- PROGRAM MODE
- THERMOSTATIC MODE (also deactivates PROGRAM MODE)
- ECO MODE
- LIGHT / DIMMER OPERATION
- CIRCULATING FAN OPERATION
- 2ND BURNER FUNCTION
- COUNTDOWN TIMER

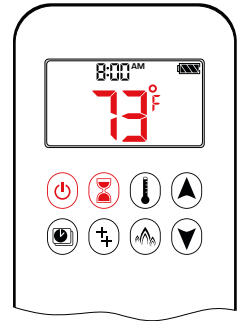


13.5 Description of the Functions

13.5.1 Setting the Temperature Unit

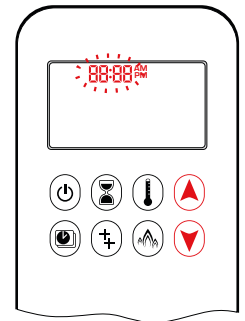
To change between °C and °F, press and buttons simultaneously.

NOTE : Choosing °F results in a 12 hour clock. Choosing °C results in a 24 hour clock.



13.5.2 Setting the Time

4. Press and buttons simultaneously. DAY flashes
5. Press or button to select a number to correspond with the day of the week (e.g. 1 = Monday, 2= Tuesday, 3=Wednesday, 4=Thursday, 5=Friday, 6=Saturday, 7=Sunday)
6. Press and buttons simultaneously. HOURS flashes.
7. To change the hour, press or button
8. Press and buttons simultaneously. MINUTES flashes.
9. To change the minutes, press or button.
10. Press and buttons simultaneously to confirm.



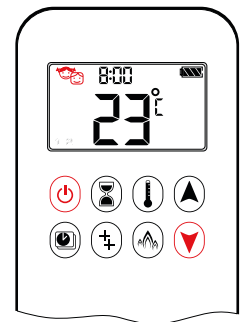
13.5.3 Child-Proof Function

ON:

1. To activate, press and buttons simultaneously
2. is displayed and the Symax is rendered inoperable, except for the OFF function.

OFF:

1. To deactivate, press and buttons simultaneously.
2. disappears.



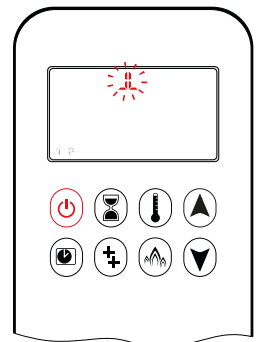
13.5.4 Turning on Fire

NOTICE

Gas Supply

- When pilot ignition is confirmed, motor turns automatically to maximum flame height.

1. Press button until two short beeps (CE, AGA version) or continuous beeping (CSA version) and a blinking series of lines confirms the stat sequence has begun; release button.
2. Main gas flows once pilot ignition is confirmed.
3. The Symax automatically goes into Manual Mode after main burner ignition.



13.5.5 Standby Mode (Pilot Flame)

NOTICE	Gas Supply
<ul style="list-style-type: none"> If the pilot does not stay lit after several tries, turn the main valve knob to OFF and follow the instructions "TO TURN OFF GAS TO APPLIANCE" (see page 41). 	

Handset

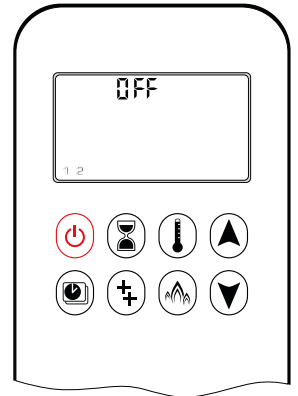
Press and hold button to set appliance to pilot flame.

13.5.6 To Turn Off Fire

Handset

- Press button to turn off (the handset must be in ON mode).

NOTE : A new ignition is possible after the OFF icon stops flashing.



SYSTEM OVERRIDE SHUTOFF

Handset

- If the fire will not Shutoff by pressing the button, press and hold the button for 12 seconds to shut the fire off.



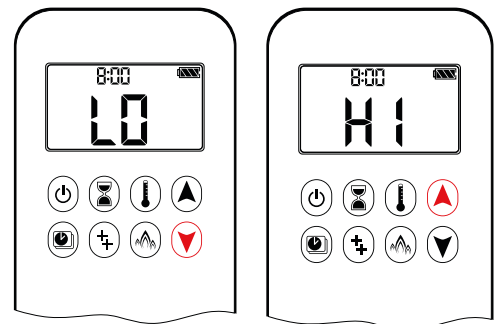
13.5.7 Flame Height Adjustment

Handset

- To increase flame height, press and hold button.
- To decrease flame height or to set appliance to pilot flame, press and hold button.

13.5.8 Designated Low Fire and High Fire




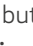




- To go to low fire, double-click button.
- LO is displayed
NOTE : Flame goes to high fire first before going to low fire.
- To go to high fire, double-click button.
- HI is displayed





NOTICE	Gas Supply
<ul style="list-style-type: none"> If the appliance will not operate, follow the instructions "TO TURN OFF GAS TO APPLIANCE" (see page 41). 	

13.5.9 Countdown Timer

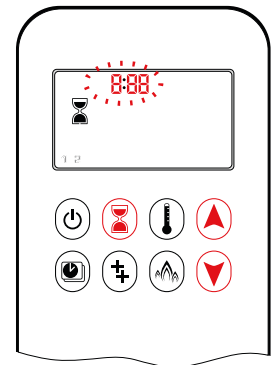
ON/SETTING

1. Press and hold  button until  is displayed, and **Hour** flashes.
2. To modify hour, press  or  button.
3. To confirm, press  button. **Minutes** flashes.
4. To modify Minutes, press  or  button.
5. To confirm, press  button or wait.

OFF

1. Press  button.
2.  and Countdown Time disappear.


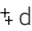
NOTE: At the end of Countdown Time period, the fire shuts off. The Countdown Timer only works in Manual, Thermostatic and Eco Modes. Maximum Countdown Time is 9 hours and 50 minutes.



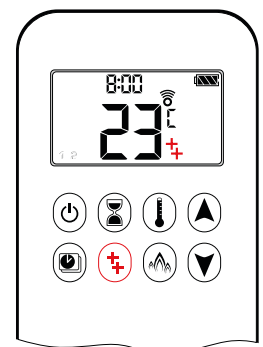
13.5.10 2nd Burner Function

The latching solenoid valve will open automatically after ignition or after switching the system OFF, so that the maximum flow of gas is supplied to both burners assisting with the ignition process. After pressing the button for the 2nd burner, the motor will turn for 15 seconds in the ON direction until the max. position is reached.

ON

1. To switch a burner ON, press the  button
2.  disappears.

NOTE: The latching solenoid valve cannot operate manually. If the receiver battery runs down, it will remain in the last operating position.



14. Appendix 6 - Dimensions

14.1 LINA G 60-19

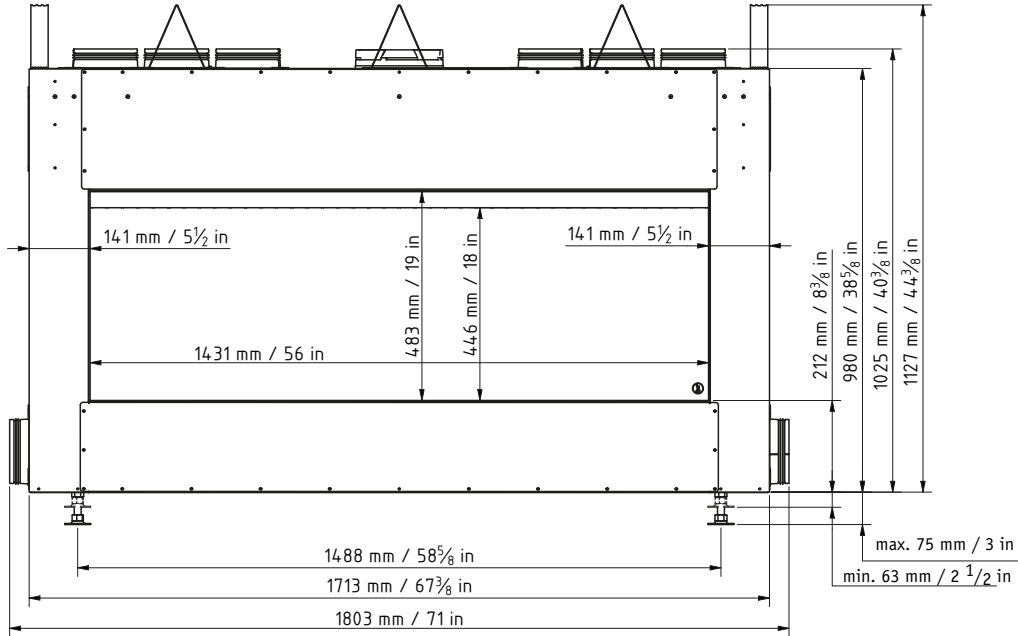


Fig. 29: LINA G 60-19 - Dimensions - Front View

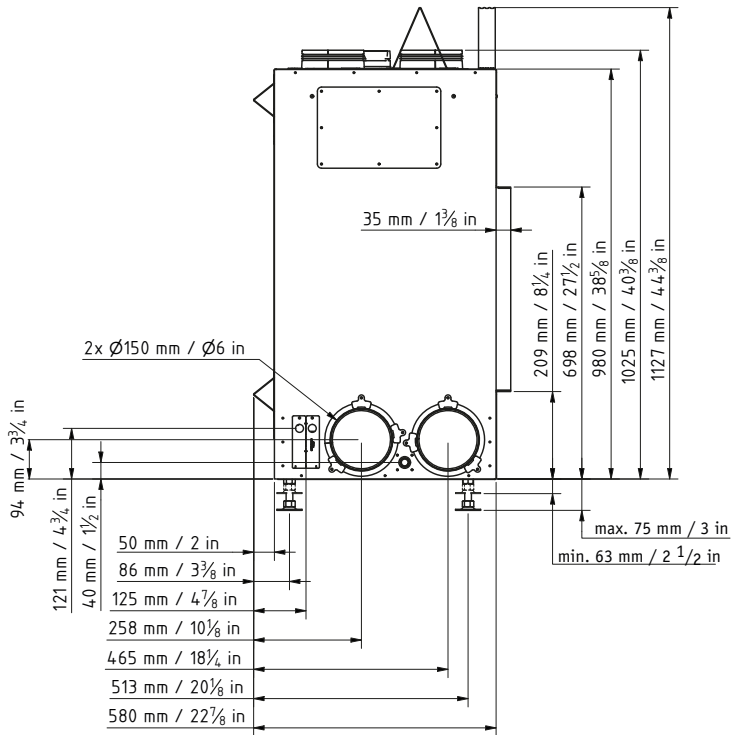


Fig. 30: LINA G 60-19 - Dimensions - Left Side View

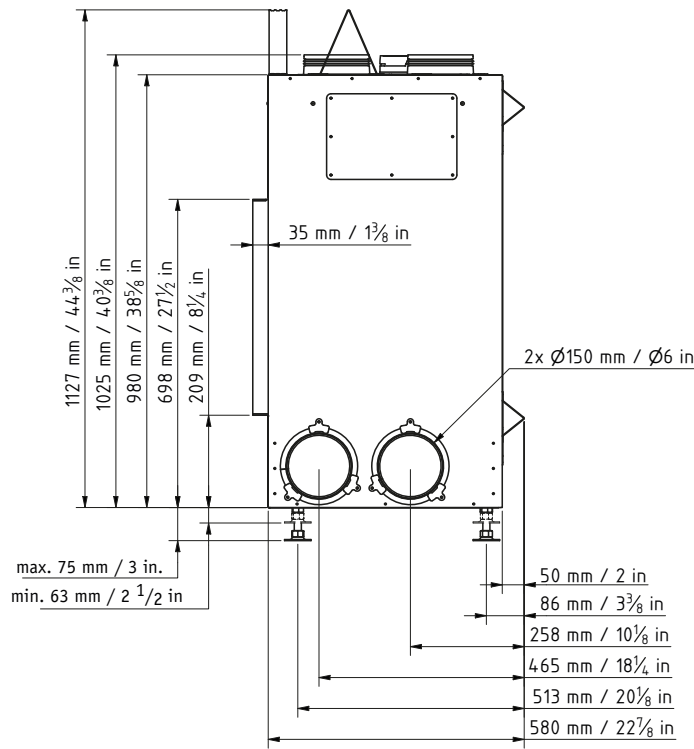


Fig. 31: LINA G 60-19 - Dimensions - Right Side View

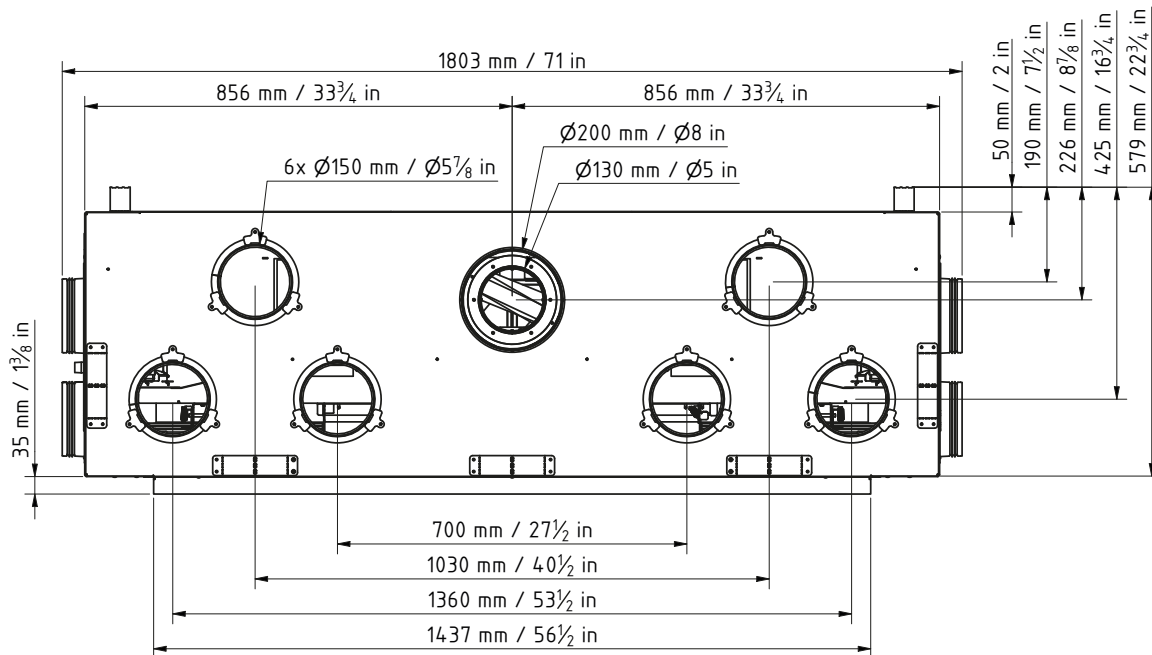


Fig. 32: LINA G 60-19 - Dimensions - Top View

14.2 EKKO G U 60/14-19

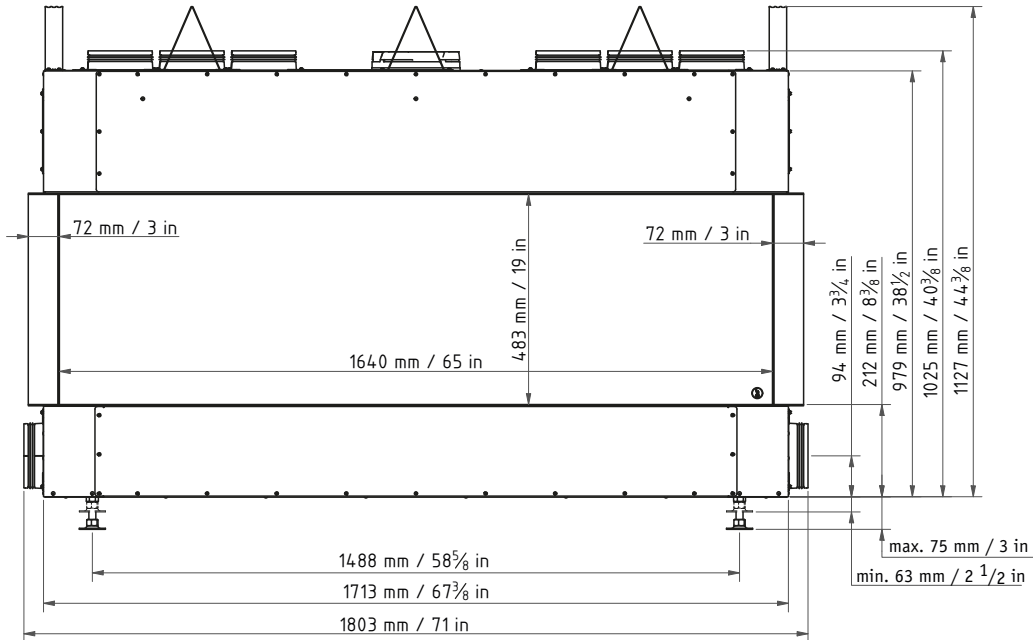


Fig. 33: EKKO G U 60/14-19 - Dimensions - Front View

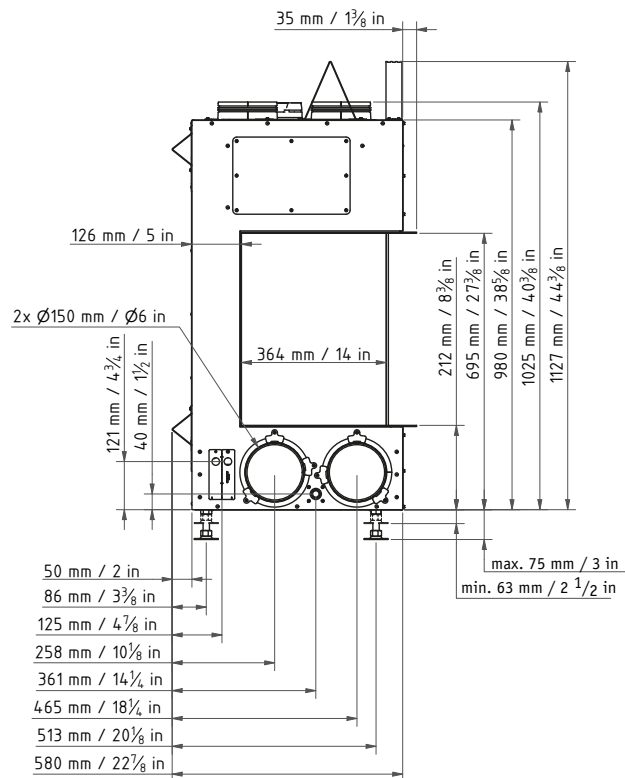


Fig. 34: EKKO G U 60/14-19 - Dimensions - Left Side View

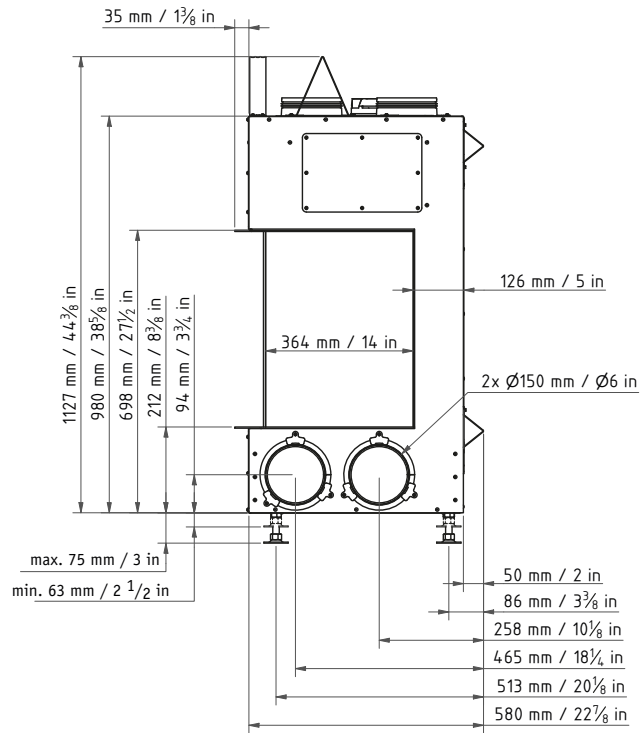


Fig. 35: EKKO G U 60/14-19 - Dimensions - Right Side View

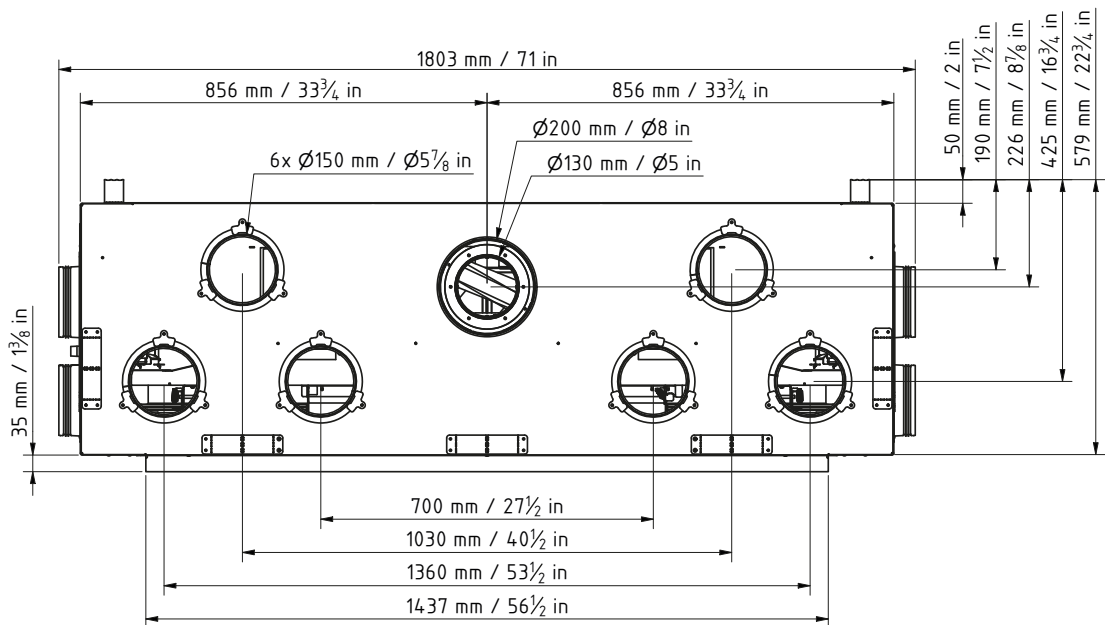


Fig. 36: EKKO G U 60/14-19 - Dimensions - Top View

14.3 EKKO G L 60/14-19

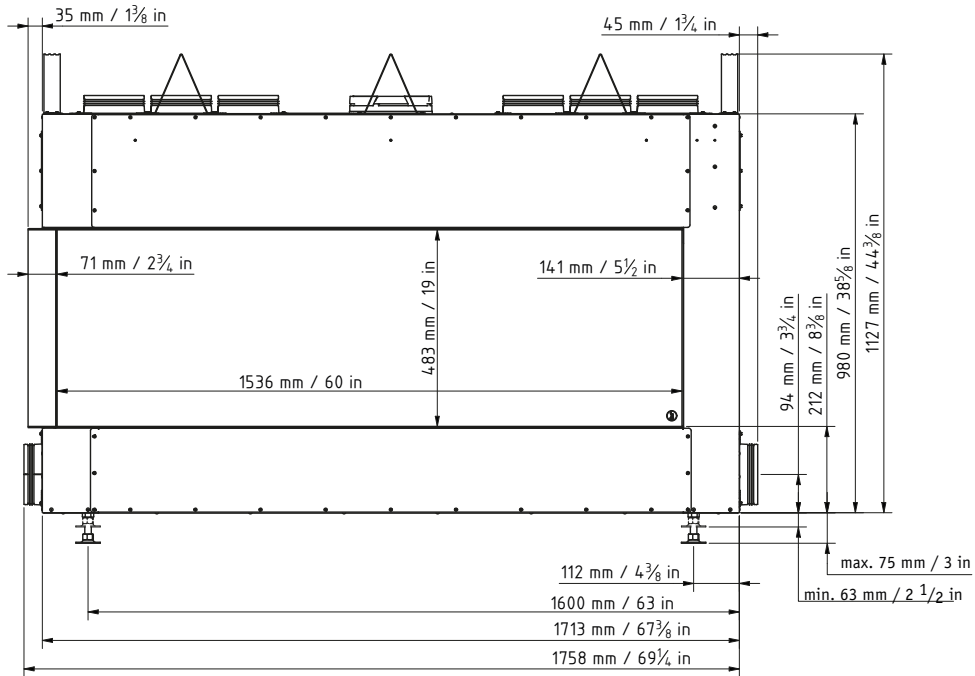


Fig. 37: EKKO G L 60/14-19 - Dimensions - Front View

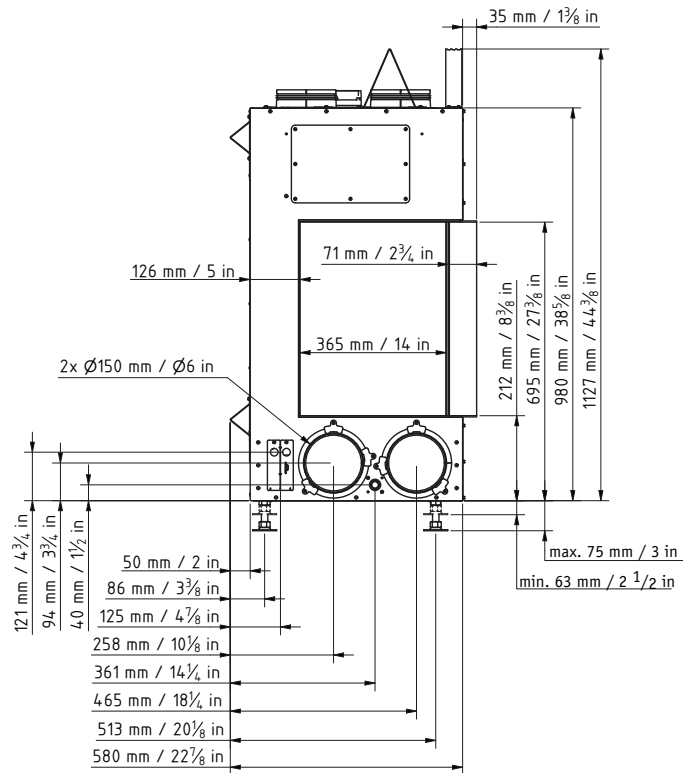


Fig. 38: EKKO G L 60/14-19 - Dimensions - Left Side View

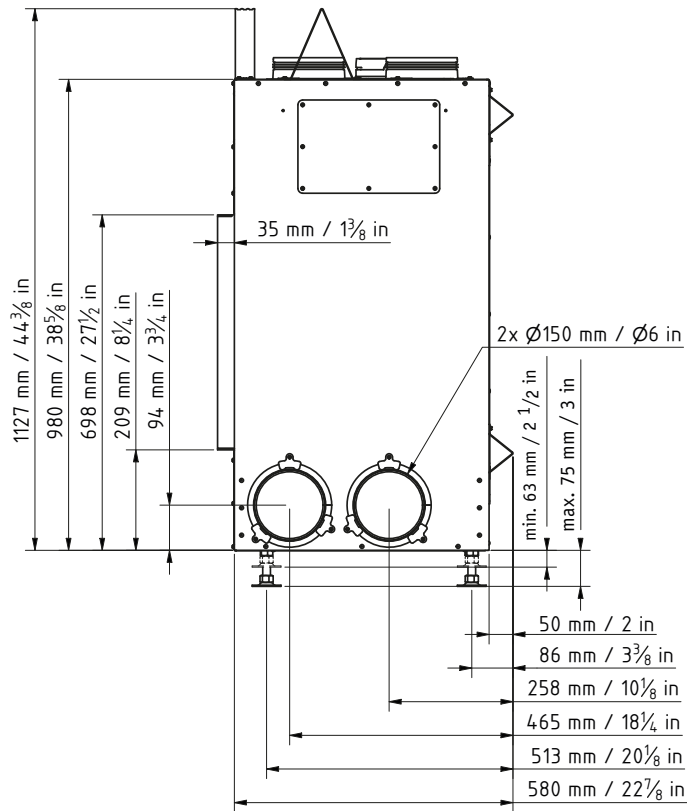


Fig. 39: EKKO G L 60/14-19 - Dimensions - Right Side View

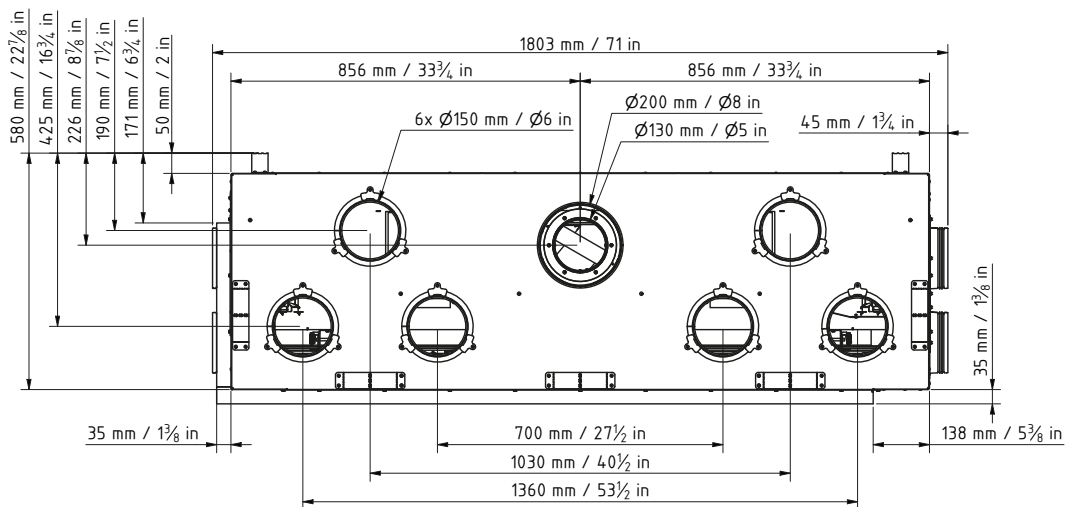


Fig. 40: EKKO G L 60/14-19 - Dimensions - Top View

14.4 EKKO G R 60/14-19

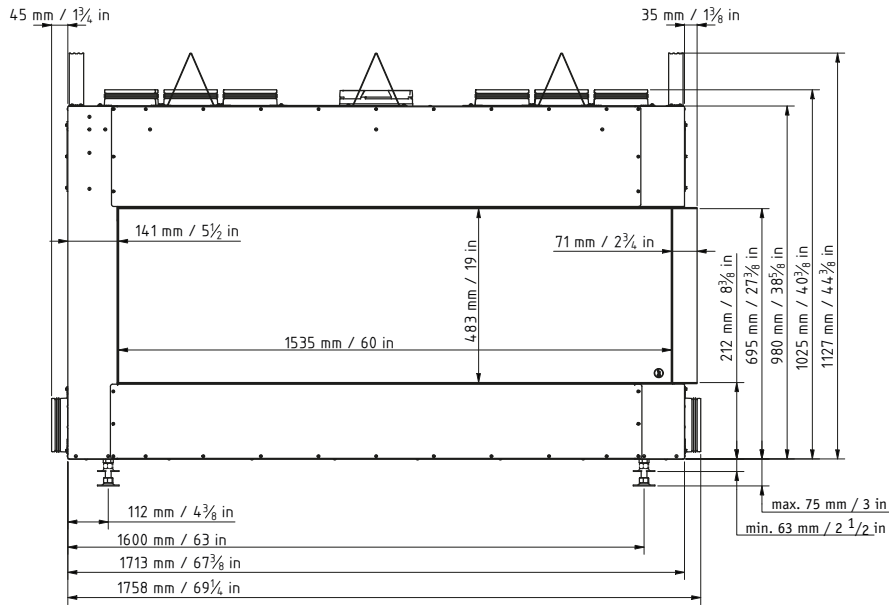


Fig. 41: EKKO G R 60/14-19 - Dimensions - Front View

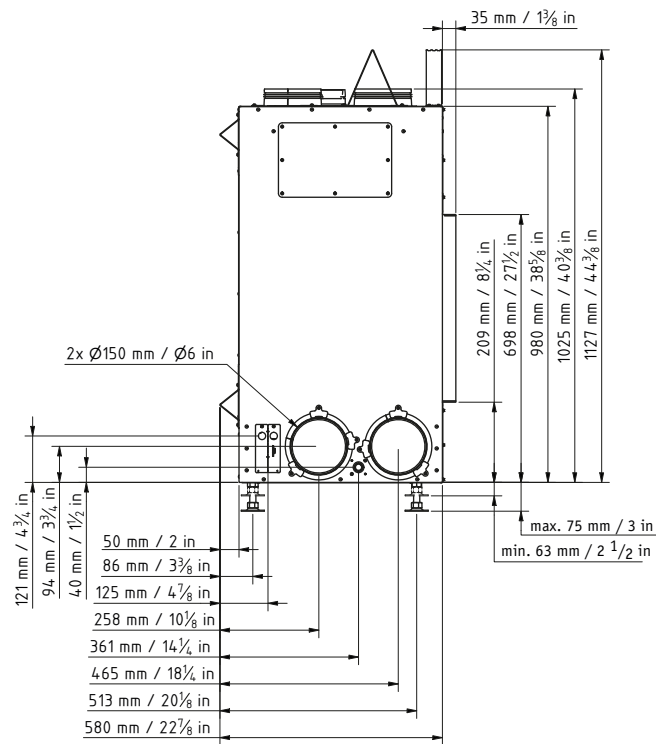


Fig. 42: EKKO G R 60/14-19 - Dimensions - Left Side View

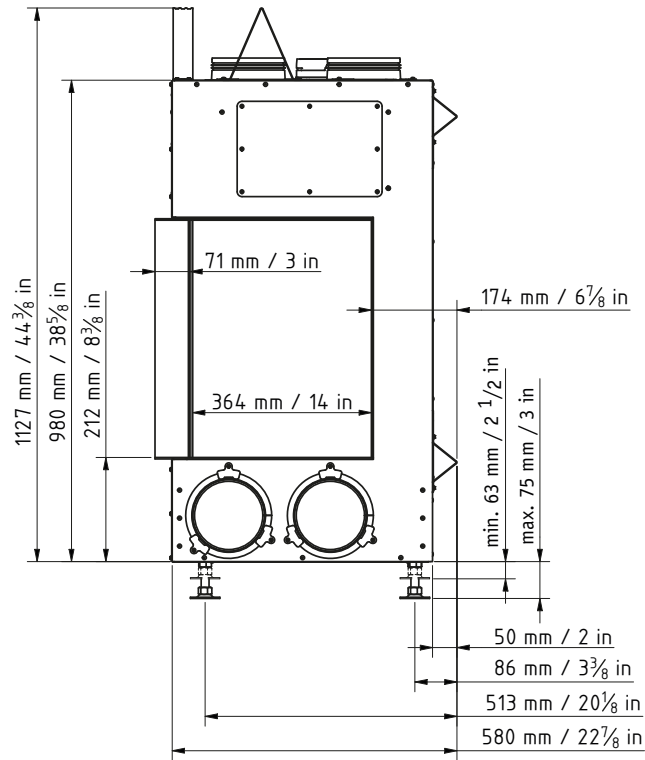


Fig. 43: EKKO G R 60/14-19 - Dimensions - Right Side View

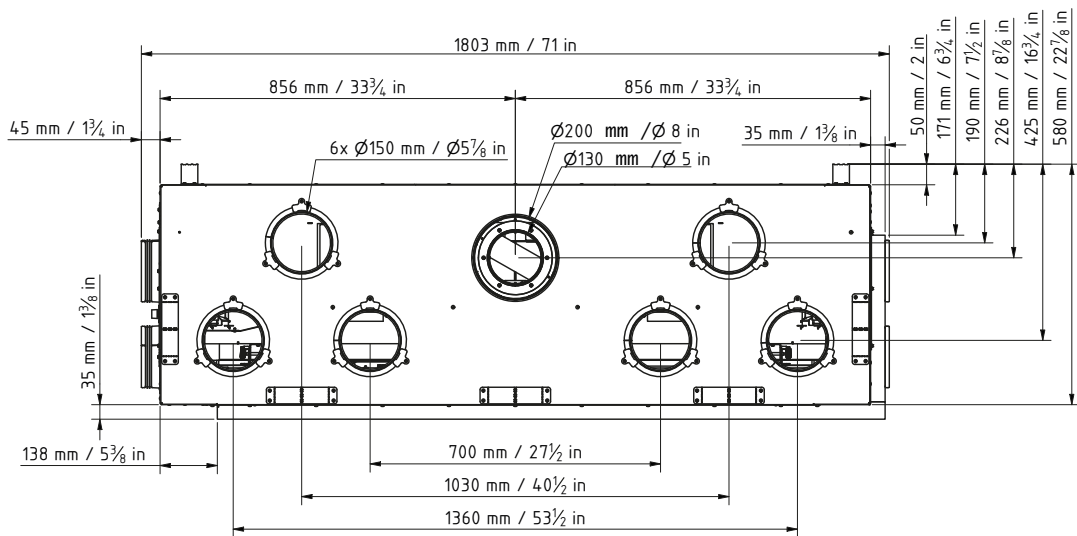
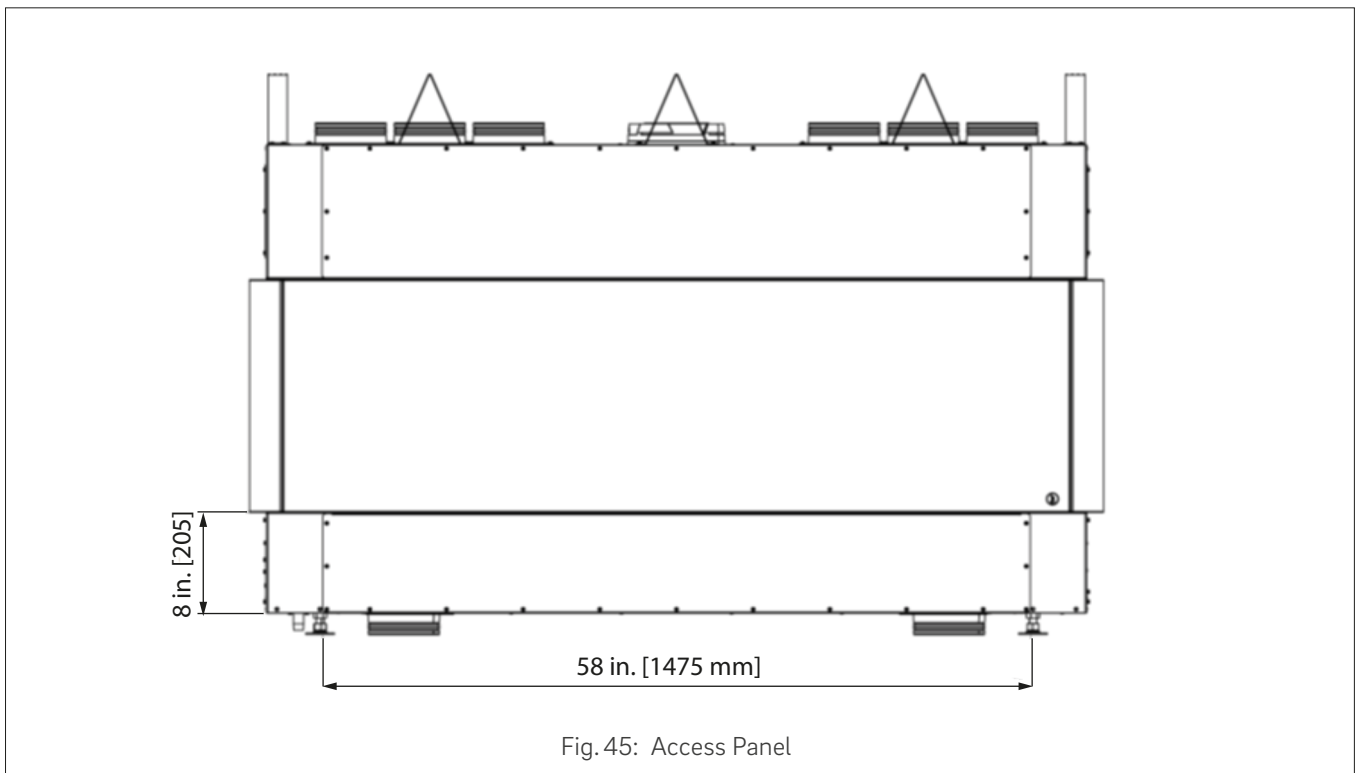


Fig. 44: EKKO G R 60/14-19 - Dimensions - Top View

15. Appendix 7 - Access panel

An access panel, or some other form of clear access to the chase, is not required, but it is highly recommended. It allows for access to the fireplace's gas and electrical components for servicing. If an access panel cannot be incorporated, the alternative method of servicing the gas and electrical components is through the fireplace.



16. Appendix 8 - Maintenance

NOTICE

Installation and Repairs

- Installation and repairs on the fireplace and vent system must be done by an authorized Camina & Schmid Inc. qualified installer service agency or gas supplier on an annual basis.
- All replacement parts must be genuine Camina & Schmid Inc. parts, or parts to the exact same specification. If these components are not installed by an authorized dealer/installer, the warranty of all components will be void and Camina & Schmid Inc. will not be responsible for any damage caused by improper installation.
- More frequent cleaning might be required due to excessive lint from carpeting, bedding material, et cetera. It is imperative that the control compartments, burners, and circulating air passageways of the appliance be kept clean.
- The appliance area must be kept clear and free of gasoline or other flammable vapors and liquids

16.1 Firebox

- Clean any debris in the firebox that is not supposed to be there.
- Vacuum the firebox, but pay attention to not remove the decoration material.
- Inspect the burner logs for any damage or defects.
- Inspect the pilot burner assembly and inspect the flame picture.
- Check the starting of the appliance and verify that the burner logs ignite smoothly

16.1.1 Catalyst Inside the FireBox:

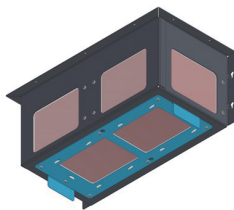
The Catalyst will need to be checked for damage and defects. Small cracks will not influence the functionality but will impact the long-term mechanical stability.

Low amounts of Soot do not impact the functionality but large amounts of soot on the catalyst (in general in the appliance) indicate that the combustion is not Optimal and that a clear inspection of the appliance is in place: Flame picture, starting behavior, check of primary air supply to the burner.

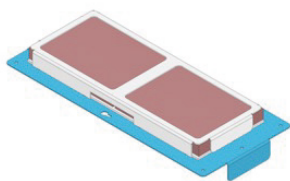
The expected life time of the catalysts is about 4 years. That means replacement is needed every 4 years, to ensure proper functionality.

There are 3 Spare part kits available for replacement. They come prebuilt as a kit.

- Complete assembly for total replacement



- Bottom cover of the Catalyst box



- Single Catalyst tile including new Seal for replacement of one single tile on the sides of the Catalyst box.

The two tiles in the bottom cover cannot be replaced as a single part and will only come as an assembly

16.2 Vent system

Should the Vent system be disassembled for any reason, reinstall following the instructions provided with the installation.

- Inspection of the vent system for obstructions and defects

16.3 Glass Assemblies

NOTICE

Glass Front

- **Do not operate this appliance with the glass front removed, cracked, or broken.**
- **Use protective gloves to handle any broken or damaged glass components.**
- **Do not strike or slam the glass front.**
- **Do not clean the glass while it is hot**

- Prepare a working area large enough to accommodate the glass assemblies on a flat stable surface.
- Remove the outer and the inner glass assembly
- Inspect the glass fronts for damages and cracks
- Clean the glass surface with a suitable fireplace glass cleaner and a soft cloth.

NOTICE

Glass Cleaning

- **Avoid usage of abrasive glass cleaners. Be careful not to scratch the glass.**

- Reinstall the glass front assemblies

NOTICE

Operation

- **Do NOT operate the appliance when the glass fronts are not in place.**

- When the inner glass front is damaged replace with the parts defined in „Appendix 9 - Spare Parts and Accessories Overview“ on page 62.
- When the outer glass front is damaged replace with the parts defined in „Appendix 9 - Spare Parts and Accessories Overview“ on page 62.

16.4 Electronics Servicing and Repair

CAUTION

Wiring Repairs

- **Label all wires prior to disconnection when servicing controls. Wiring errors can cause improper and dangerous operation.**
- **Verify proper operation of the appliance after servicing / repair.**

17. Appendix 9 - Spare Parts and Accessories Overview

Table 8: Overview Spare-Parts

Nr	Description	Article number	UPC code
1	Primary Pilot Gas Assembly NG kit	0000003334	649275517471
2	Primary Pilot Gas Assembly LP kit	0000003335	649275727146
3	Secondary Thermocouple Kit	0000003336	649275619878
4	Gas Valve control kit	0000003337	649275714832
5	Remote control 10 button kit	0000003338	649275822582
6	Wiring kit	0000003339	649275565502
7	Gas Valve Maxitrol kit	0000003340	649275668715
8	Solenoid Valve Kit	0000003341	649275861949
9	Thermocouple interrupter kit	0000003342	649275960215
10	Wi-Fi Module kit	0000003343	649275773044
11	LED board Moonlight bottom kit	0000003344	649275787195
12	LED board Moonlight top Left kit	0000003345	649275620676
13	LED board Moonlight top right kit	0000003346	649275766459
15	Conversion kit LP Gas	0000003357	649275621055
16	Conversion kit NG gas	0000003356	649275930775
17	Front Pane inside replacement kit Ekko G U 60/14-19	0000003352	649275996498
18	Front Pane inside replacement kit Ekko G R/L 60/14-19	0000003353	649275612183
19	Side Pane inside replacement kit Ekko G U/R/L 60/14-19	0000003354	649275613395
20	Front Pane inside replacement kit LINA G 60-19	0000003355	649275504150
21	Front Pane Barrier replacement kit Ekko G U 60/14-19	0000003358	649275620645
22	Front Pane barrier replacement kit Ekko G R/L 60/14-19	0000003359	649275989032
23	Side Pane barrier replacement kit Ekko G U/R/L 60/14-19	0000003360	649275546044
24	Front Pane barrier replacement kit LINA G 60-19	0000003361	649275991950
25	Log set Ekko Lina series 60 complete Birch (wood logs and deco logs)	0000002790	649275636325
26	Set Wood logs Ekko Lina 60 Birch	0000003311	649275560101
27	Set Deco logs Ekko Lina G 60 US Birch	0000003312	649275531118
28	Log set Ekko Lina series 60 complete Oak (wood logs and Deco logs)	0000002791	649275527456
29	Set Wood logs Ekko Lina 60 Oak	0000003313	649275888120
30	Set Deco logs Ekko Lina G 60 US Oak	0000003314	649275694691
31	Set Catalyst box Complete Ekko/Lina G 60	0000003363	649275848988
32	Set Catalyst Bottom complete Ekko/Lina G 60	0000003364	649275719967
33	Set Catalyst Bottom complete Ekko/Lina G 60	0000003365	649275700774
33	SBL P2046 Ekko 60 USA Birch left	0000003284	615764588161
34	SBL P2044 Ekko 60 USA Birch second from left	0000003283	615764588178

35	SBL P2004 Ekko 60 USA Birch ignition	0000003282	615764588185
36	SBL P1998 Ekko 60 USA Birch third from right	0000003281	615764588192
37	SBL P2055 Ekko 60 USA Birch second from right	0000003280	615764588208
38	SBL P2045 Ekko 60 USA Birch right	0000003279	615764588215
39	SBL P2046 Ekko 60 USA Oak left	0000003473	615764588222
40	SBL P2044 Ekko 60 USA Oak second from left	0000003472	615764588239
41	SBL P2004 Ekko 60 USA Oak ignition	0000003471	615764588246
42	SBL P1998 Ekko 60 USA Oak third from right	0000003470	615764588253
43	SBL P2055 Ekko 60 USA Oak second from right	0000003469	615764588260
44	SBL P2045 Ekko 60 USA Oak right	0000003468	615764588277

Table 9: Overview Accessories

Nr	Description	Article number	UPC code
1	Set-App Control: pre-installed I	0000003237	649275538513
2	Set-App Control: pre-installed II	0000003242	649275686092
3	LED Module Primary	0000003016	649275701658
4	LED Module Secondary	0000003017	649275791659
Airbox hot air transfer kits			
5	Airbox XL	0000003243	649275557590
6	Airbox EL	0000003244	649275639258
7	Airbox L 2 connections 30 x 3 "	0000003245	649275556296
8	Airbox AD	0000003246	649275825620
Accessories			
9	Set Ceramic Back Wall Ekko G U 60/14-19	0000003239	649275702884
10	Set Ceramic Back Wall Ekko G L and R 60/14-19	0000003240	649275873409
11	Set Ceramic Back Wall Lina G 60-19	0000003241	649275713224
12	Wall switch kit	0000003315	649275811838



Camina & Schmid Inc.

80 Pine street 24th Floor
10005 New York (NY)

www.camina-schmid.com
info@camina-schmid.de