

# Lina G 60-19

## Data sheet

### Details

- 1-sided gas fireplace insert
- Versatile burner system with efficient and energy saving combustion technology
- Inner lining: Black ceramic glass (glossy) or Anthracite steel sheet (mat)
- Realistic ceramic wood logs (Birch or Oak)
- Dynamic and realistic flame picture that never gets boring
- Included: LED ambient lighting and Full RGB LED room lighting
- Can be connected to an existing gas supply



*Lina G 60-19 with Inner lining Anthracite steel sheet (mat)*

### Technical data

Nominal heat load 47000 BTU/h  
 Operating range 12000 – 36000 BTU/h

### Standard

		
Black ceramic glass (glossy)	LED ambient lighting	Full RGB LED room lighting

### Optional


Anthracite steel sheet (mat)

### Label of proof



CSA Group™



UL label



American National Standards Institute



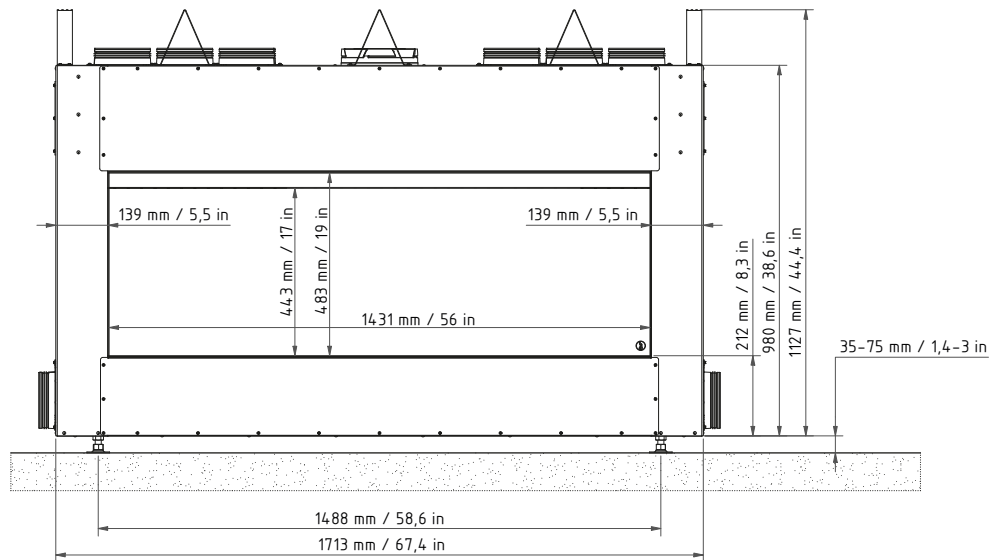
Labtest Certification Inc.

There may be modifications to the colour and technical details caused by ongoing developments; subject to errors and omissions. Status: 02/2022

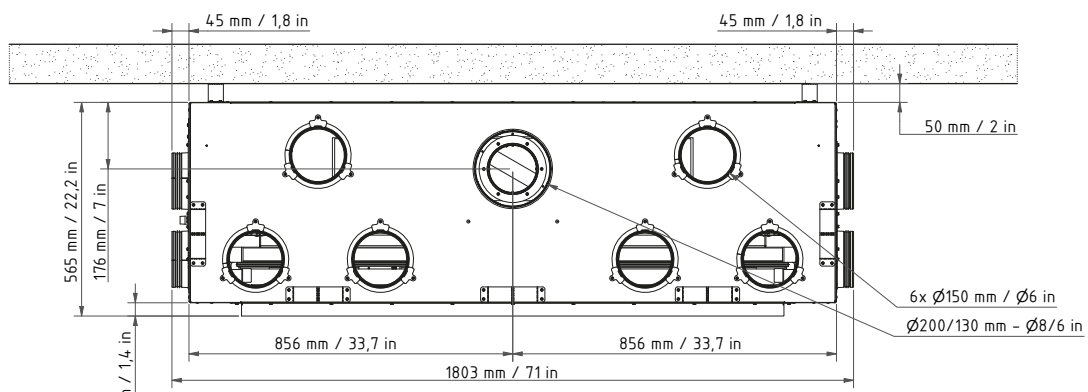
# Lina G 60-19

Scale drawing 1:20

Front view



Top view



# Lina G 60-19

Scale drawing 1:20

Side view

